

TITAN INDUSTRIAL

P.O.Box 791, Travelers Rest, S.C. 29690

Phone 864-834-7212

Service/Replacement Parts 800-845-4141



OWNER'S MANUAL MODEL TG 7000 Industrial Generator

The Emission Control System for this generator is warranted for standards set by the Environment Protection Agency.

IMPORTANT!

It is extremely important to read and understand the entire contents of this Owner's Manual for the Titan Industrial Model TG 7000 before attempting to operate the generator. This is a gas engine powered, industrial strength generating unit of electrical power. The gas engine and the generator are both potentially extremely hazardous and could cause physical injury or even death if improperly used.

WARNING!

Do Not Operate Equipment until reading & understanding Owner's Manual!
Disconnect all loads before starting or stopping generator.
Allow to run for a few minutes with no load before stopping.

**IMPORTANT !
READ FIRST**

TITAN INDUSTRIAL

OWNER'S MANUAL MODEL TG 7000 Industrial Generator

It is extremely important to read and understand the entire contents of this Owner's Manual for the Titan Industrial- Model TG 7000 before attempting to operate the generator. This is a gas engine powered, industrial strength generating unit of electrical power. The gas engine and the generator are both potentially extremely hazardous and could cause physical injury or even death if improperly used.

TITAN INDUSTRIAL shall not be responsible for any consequences resulting from improper use of this equipment. The operator is required to read the entire contents of this manual before attempting to operate the unit. If the operator does not completely understand the instructions and all of the hazards of operating this unit after reading this manual, he/she must call the factory at 1-800-845-4141 to answer these questions to his/her complete satisfaction before proceeding.

READ AND COMPLETELY UNDERSTAND entire contents of this Owner's Manual and become familiar with the unit before attempting to start using this equipment! It is your responsibility to know its applications, limitations, and hazards! Call the factory at 1-800-845-4141 with any questions.

FOR OUTDOOR USE ONLY! Never use this unit inside any enclosure including the generator compartment of a recreation vehicle (RV) or inside any building. No modifications will eliminate the danger of possible carbon monoxide poisoning, fire, or explosion.

TWO (2) FEET OF CLEARANCE on all sides is required even while using outdoors.

This unit is sold solely for the purpose of portable power. Other applications could void warranty. User accepts responsibility for injuries and/or damage resulting from other applications.

This Manual contains information to ensure your safety and to prevent any equipment problems. Various terms such as 'WARNING', 'CAUTION', 'DANGER', 'IMPORTANT', and the SYMBOL → are all used to signify information that is essential for the operator of this equipment to understand and to practice!

TITAN INDUSTRIAL

P.O. Box 791
Travelers Rest, S.C. 29690
864-834-7212
Toll Free 1-888-828-8126
Replacement Parts 1-800-845-4141

MODEL TG 7000 GAS POWERED GENERATOR

Model	TG 7000
Voltage	120/240
Current	20/30
Frequency	60Hz
AC Output	6.0KW

DESCRIPTION

THE TITAN INDUSTRIAL INC. MODEL TG 7000 is a gas engine driven, revolving field, alternating current (AC) generator designed to supply electrical power for compatible electrical tools, motors, appliances, and lighting (see wattage reference guide on page 10).

The Model TG 7000 operates at 120 volt and/or 240 volt, single phase, 60 Hz and will operate devices that require up to 6000 watts up to 20 Amps at 120 Volts or 30 Amps at 240 Volts.

Figure #1 - Grounding Lug Block



CONNECTING LOADS

The Model TG 7000 operates at 120 volt and/or 240 volt, single phase, 60 Hz and will operate devices that require up to 6200 watts.

Add up the Watts of all devices you connect to the TITAN INDUSTRIAL GENERATOR at one time. Do not exceed 6200 Watts on TITAN INDUSTRIAL Generator Model TG 7000 (see wattage reference guide).

The rated Watts of most electrical devices can be found on its nameplate. The rated Watts of lights can be taken from the light bulbs. In cases where only Volts and Amps are shown on the nameplate, simply multiply Volts by the Amps to get Watts (Volts X Amps = Watts).

Some electric motors require about three times the rated Watts of power for start-up. This surge of power is required for only a few seconds. Be sure to allow for this high starting wattage when selecting electrical devices to connect to the generator.

First, figure the watts needed to start the largest motor. Add to that figure the running watts of all other connected loads.

Please see the Wattage Reference Guide. It provides an estimated approximation of running watts, to help determine which devices to select to connect to the generator.

CAUTION! Do not tamper with engine governed speed. The TITAN INDUSTRIAL GENERATOR supplies correct rated frequency and voltage when running at the proper governed speed. Incorrect frequency and/or voltage could damage connected electrical devices.

GROUNDING THE GENERATOR

It is required by The National Electrical Code to have the frame and all external conductive parts of the generator connected to an earth ground. Proper grounding also satisfies most local electrical codes.

Connect a No. 12 AWG standard copper wire to the Grounding Lug Block (See Figure 1). The grounding lug can be found inside the rear access panel near the oil cap. Connect the other end of the wire to an earth driven copper or brass grounding rod (electrode).

CAUTION! Do not connect ground to a preexisting ground rod, water pipe, or building frame.

Consult with a licensed electrician in your area because local codes vary. Properly grounding the generator helps prevent electrical shock if a ground fault condition exists in the generator or in connected electrical devices. This will also help to dissipate static electricity resulting from ungrounded devices.

⚡ SAFETY ⚡

This generator was designed for specific applications. DO NOT attempt to modify the unit in any way or use it for any application that it was not designed to do. Ask the dealer or contact the factory if you have any questions concerning the generator's application.

Warnings and cautions in this manual and on decals and tags on the unit are not all inclusive. It would be impossible to anticipate every circumstance that might involve a hazard. Handling, operating, or servicing this unit by any procedure not recommended by the manufacturer may render this equipment unsafe and may pose a threat to you or to others.

- ⚡ The generator produces a very powerful voltage that can cause extremely dangerous electrical shock. Avoid contact with bare wires, terminals, etc. never permit an unqualified person to operate or service the generator.
- ⚡ Never handle any kind of electrical cord or device while standing in water, while barefoot or with wet hands or when feet are wet. Dangerous electrical shock could result.
- ⚡ The National Electric Code requires that the frame and external conductive parts be properly connected to an approved earth ground. Local electrical codes may vary. Check with an electrician for local grounding requirements.
- ⚡ Use a ground fault circuit interrupter in any damp or highly conductive area such as metal decking or steel work.
- ⚡ Do not use worn, bare, frayed or otherwise damaged electrical cords or wiring with the generator. A defective cord may result in electrical shock or may cause damage to equipment.
- ⚡ Do not expose unit to excessive moisture, dirt or corrosive vapors. Unit must be operated on a level surface.
- ⚡ Do not overfill the fuel tank. Always allow room for fuel expansion. Fuel could overflow and cause fire or explosion if tank is overfilled. Allow for a 20 minute cool down before refueling. Never refuel tank while engine is running.
- ⚡ Only operate this unit outside with adequate ventilation. This generator's exhaust produces carbon monoxide gas that can cause unconsciousness or even death.
- ⚡ Never store a generator with fuel in the tank where diesel fuel vapors could be ignited by a flame, spark, or pilot light from an appliance such as a furnace, water heater, or clothes dryer.
- ⚡ Always allow a minimum of 2 feet of clearance on all sides for ventilation while unit is operating. Allow 2 feet of clearance from all combustibles.
- ⚡ Generator must always be stopped or started with all loads unconnected. Start the engine and let it stabilize before connecting any loads. Disconnect all loads before shutting down the generator.
- ⚡ Never insert any object through the cooling slots of the engine. You could damage the unit or cause injury.
- ⚡ NEVER OPERATE THE GENERATOR:
 - In rain
 - In an enclosed compartment
 - If connected devices overheat
 - If electrical output is lost
 - If engine or generator sparks
 - If flame or smoke is observed
 - If unit vibrates excessively

CAUTION: Customer takes full responsibility for use of this unit as a home generation system.

CAUTION! The engine exhaust contains chemicals known to the State of California to cause cancer, birth defects, or other reproductive harm.

CAUTION! If it is your first time starting the generator, allow it to run for 30 minutes before connecting electrical loads. This is for wet seating purposes

OPERATION OF THE GENERATOR

Starting the engine

- Always check the oil level and air filter before starting the engine.

NOTE:

- *(If starting manually).*
Do not allow the handle grip to snap back against the engine. Always return it gently to prevent damage to the starter.

NOTE:

- Allow generator to settle. Run before connecting any electrical loads or appliances. Failure to do so may result in generator damage!

Connecting electrical loads

- Let engine stabilize and warm up for at least 3 minutes.
- Make sure devices to be connected are in good working order and in the "OFF" position before connecting to the generator.
- Make sure to plug in desired devices into the correct receptacle.
- DO NOT connect 240 Volt loads to the 120 Volt duplex receptacles.

DO NOT connect 3 phase loads to the generator.
- DO NOT connect 50 Hz loads to the generator. This is a 60Hz system.
- DO NOT overload the generator. Add up the rated Watts of all loads to be connected. This total should not exceed the total watts of the generator.

Stopping the engine

- Turn off all electrical devices connected to the generator.
- **WARNING:**
DO NOT start or stop generator with electrical devices plugged in.
- Allow the generator engine to run at a 'No Load' condition for several minutes to stabilize internal engine temperature before stopping
- If using the electric start, turn key to the "OFF" position.

Generator maintenance

(see maintenance table for list).

- Keep the generator clean and dry. Use a damp cloth to clean exterior surfaces. Remove caked on dirt with a soft brush.
- Never spray with water. Water can contaminate the engine fuel system and cause serious problems in the generator.
- Damage may occur if engine or carburetor cleaning products are used.

Storage

- **IMPORTANT:**
Empty fuel system if unit is to be stored for 30 days or more. This will help prevent gum deposits from forming in fuel system such as the carburetor, fuel filter, fuel hose, and fuel tank during storage.

Wattage Reference Guide

Device	Running Watts	Device	Running Watts
*Air Conditioner (12,000 BTU)	1700	Impact Wrench	500
Battery Charger (20 Amp)	500	*Jet Pump	800
Belt Sander (3")	1000	Lawn Mower	1200
Chain Saw	1200	Light Bulb	100
Circular Saw (6-1/2")	800 to 1000	Microwave Oven	700
Coffee Maker	1000	*Milk Cooler	1100
Compressor (1 HP)	2000	Oil Burner on Furnace	300
Compressor (3/4 HP)	1800	Oil Fired Space Heater (140,000 BTU)	400
Compressor (1/2 HP)	1400	Oil Fired Space Heater (85,000 BTU)	225
Curling Iron	700	Oil Fired Space Heater (30,000 BTU)	150
*Freezer	500	*Airless Paint Sprayer (1/3 HP)	600
Disc Sander (9")	1200	Handheld Airless Paint Sprayer	150
Edge Trimmer	500	Radio	50 to 200
Electric Nail Gun	1200	Refrigerator	600
Electric Range (one element)	1500	Slow Cooker	200
Electric Skillet	1250	*Submersible Pump (1-1/2 HP)	2800
*Furnace Fan (1/3 HP)	1200	*Submersible Pump (1 HP)	2000
Hair Dryer	1200	*Submersible Pump (1/2 HP)	1500
Hand Drill (1")	1100	Sump Pump	600
Hand Drill (1/2")	750 to 1000	*Table Saw (10")	1750 to 2000
Hand Drill (3/8")	500	Television	200 to 500
Hand Drill (1/4")	250	Weed Trimmer	500

***Allow 3 times the listed Watts for starting these devices**
These wattages shown are approximate and may vary with each specific device

Maintenance Guide

	DAILY	EVERY MONTH/ 20 HRS	EVERY 3 MONTHS/ 100 HRS	EVERY 6 MONTHS/ 500 HRS
Check/Refill Fuel	X			
Drain fuel from tank		* (If idle for 6 months or longer)		
Check/Refill Oil	X			
Check for oil leakage	X			
Check battery fluid		X		
Change oil		*	X	
Clean/Replace oil filter			X	
Replace air filter		X*	X*	
Clean/Replace fuel filter				X

*First oil change should be after the first (5) hours of use. After initial break-in period change oil every (30) hours.
 Use SAE 30 Oil.

X* Air filter may need to be replaced frequently, due to adverse conditions. Check filter frequently.

TROUBLESHOOTING

Problem	Cause	Solution
Engine is running but no power output is available.	<ol style="list-style-type: none"> 1. Circuit breaker is open. 2. Poor connection or defective cord set. 3. Connected device is bad. 4. Fault in generator. 	<ol style="list-style-type: none"> 1. Reset the circuit breaker. 2. Check & repair. 3. Connect another device that is in good condition. 4. Contact service center.
Engine runs good until loads are connected, then bogs down.	<ol style="list-style-type: none"> 1. Short circuit in a connected load. 2. Overloaded generator. 3. Engine speed is too slow. 4. Short in generator circuit. 	<ol style="list-style-type: none"> 1. Disconnect shorted load. 2. See 'Connecting Electrical Loads' section of manual. 3. Contact service center. 4. Contact service center.
Engine will not start or engine starts but runs rough.	<ol style="list-style-type: none"> 1. On/Off Switch is turned 'OFF'. 2. Dirty air cleaner. 3. Not enough speed or force is used for recoil start. 4. Water in fuel. 5. Speed control is not set to "RUN". 6. Low oil level. 7. Engine has lost compression. 	<ol style="list-style-type: none"> 1. Turn On/Off Switch to 'ON'. 2. Clean air filter. 3. Read and follow directions. 4. Drain and refill tank. 5. Move speed control to "RUN" position. 6. Add oil to proper level. 7. Contact service center.
Engine shuts down during operation.	<ol style="list-style-type: none"> 1. Out of fuel. 2. Fault in engine. 	<ol style="list-style-type: none"> 1. Fill fuel tank. 2. Contact service center
Engine lacks power	<ol style="list-style-type: none"> 1. Load is too high. 2. Dirty air filter. 3. Engine needs to be serviced. 	<ol style="list-style-type: none"> 1. See 'Connecting Electrical Loads' section of manual. 2. Replace the air filter. 3. Contact service center.

Service
1-800-845-4141

Fax
864-834-5127



Replacement Parts
1-800-845-4141

Toll Free 1-800-845-4141
www.titanindustrial.net



7000 Industrial Generator



P.O.Box 791, Travelers Rest, S.C. 29690
Phone 864-834-7212
Service/Replacement Parts 800-845-4141

210400

Illustrated Parts List

Model Series

210400

TYPE NUMBERS
0035 through 0186.

TABLE OF CONTENTS

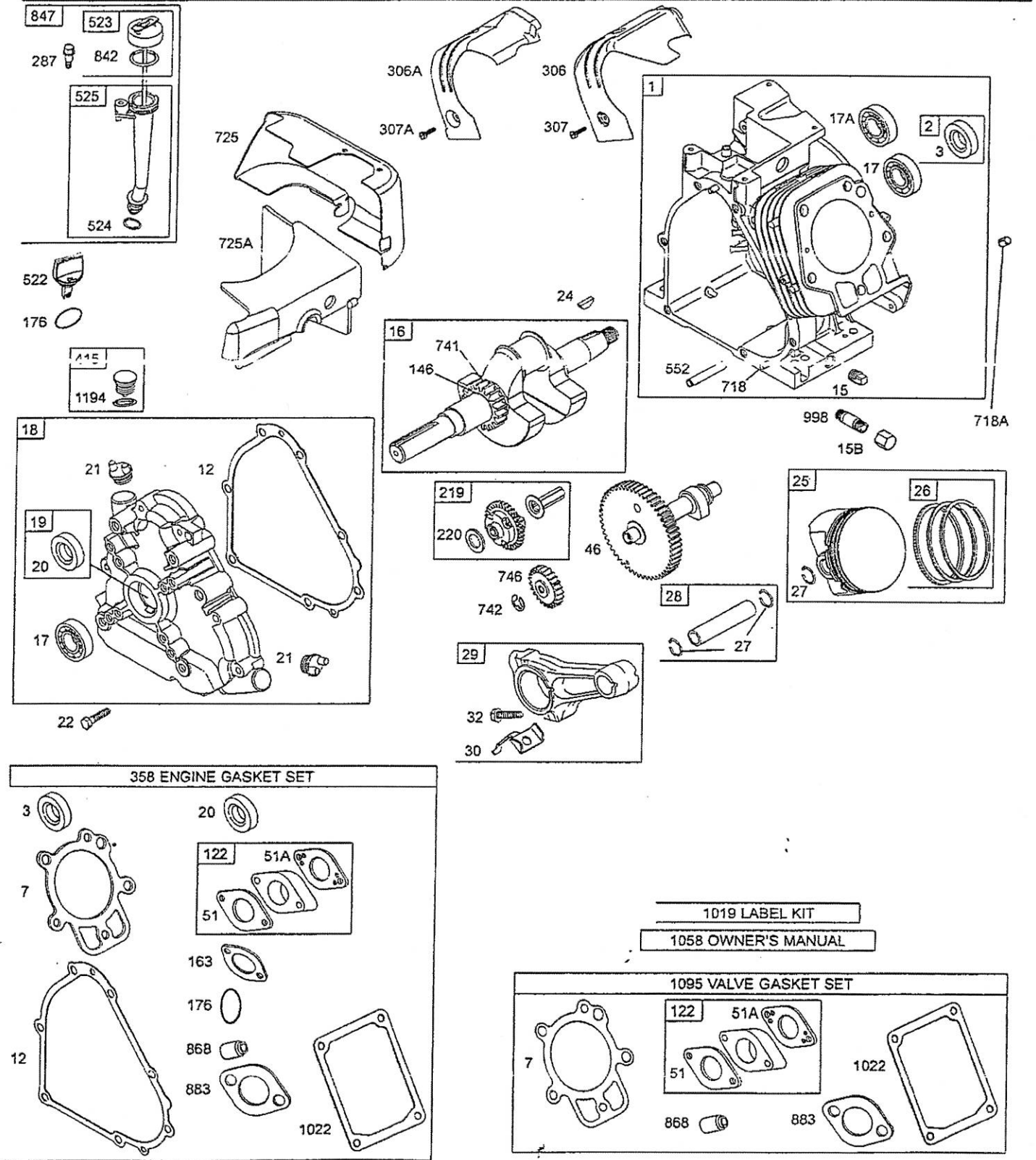
Air Cleaner	5
Blower Housing/Shrouds	6
Cams	2
Carburetor	4
Controls	7
Crankcase Cover/Sump	2
Crankshaft	2
Cylinder	2
Electric Starter	9
Flywheel	6
Fuel Tank	8
Governor Spring	7
Head/Valves	3
Kit/Gasket Sets-Carburetor	4
Kit/Gasket Sets-Engine	2
Kit/Gasket Sets-Valve	2
Muffler	5
Oil	2
Piston Group	2
Rewind	6



PRINTED IN U.S.A.

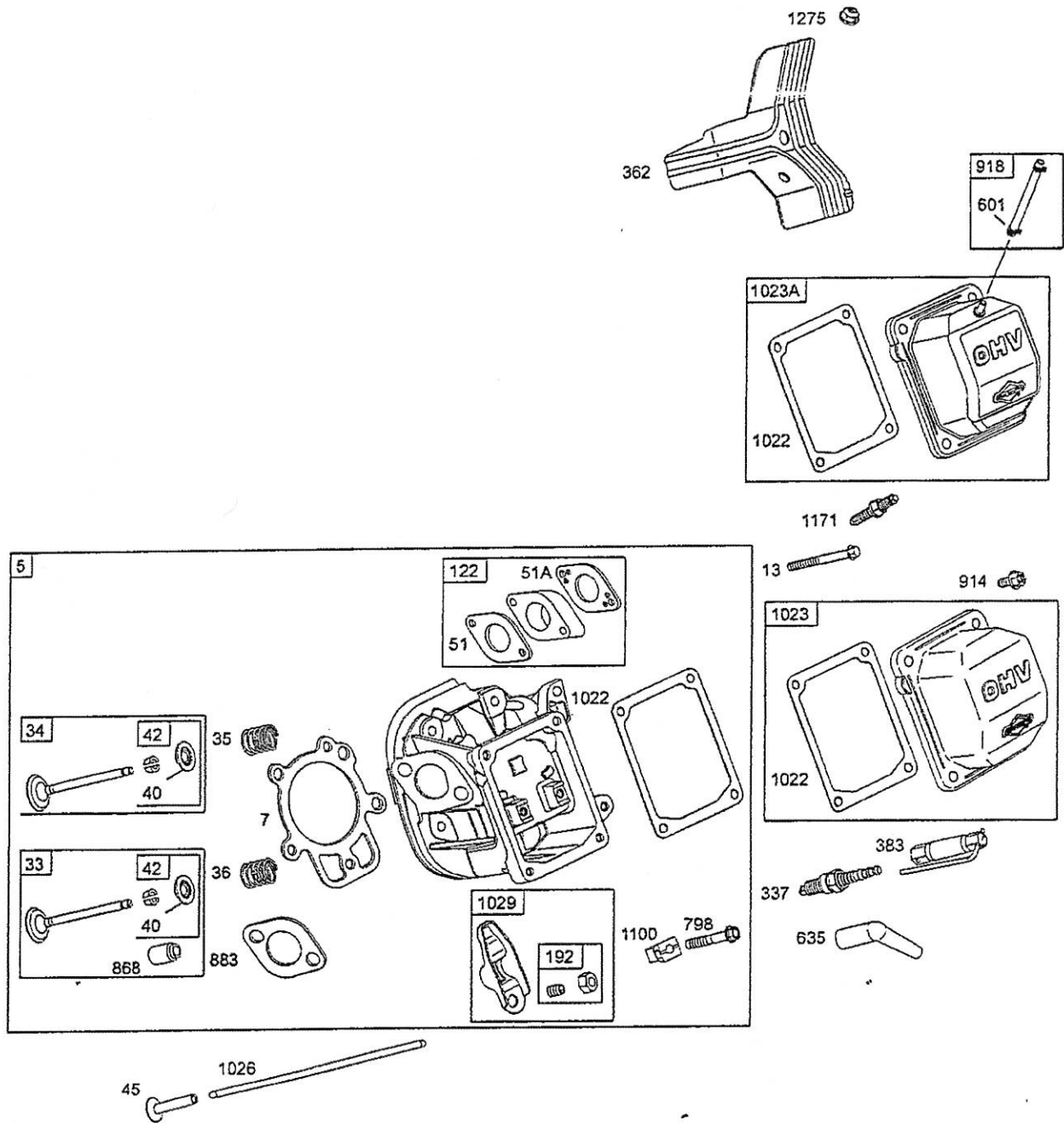
COPYRIGHT by BRIGGS & STRATTON CORPORATION
All rights reserved. No part of this material may be reproduced or transmitted, in any form or by any means, electronic or mechanical, including photocopying, recording or by any information storage and retrieval system, without permission in writing from Briggs & Stratton Corporation.

210400



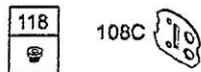
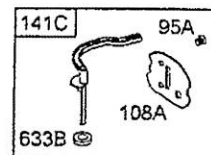
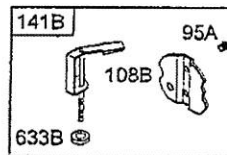
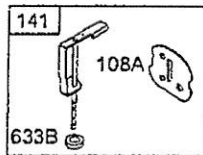
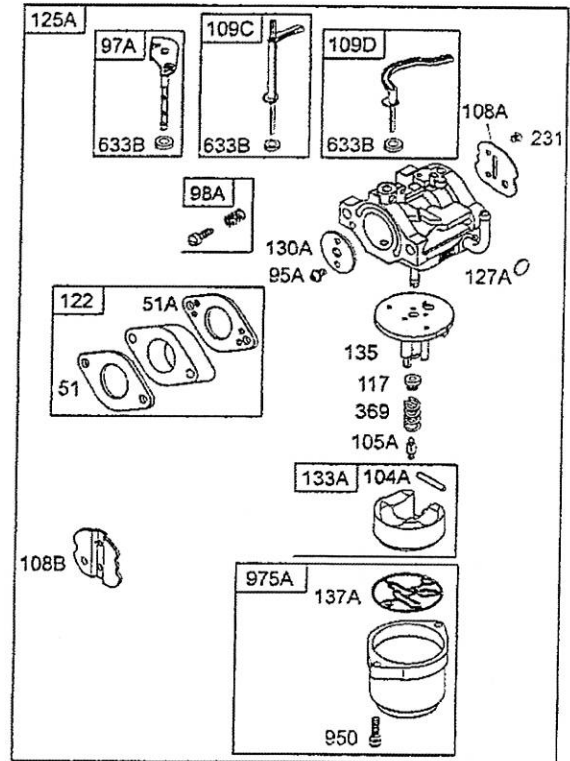
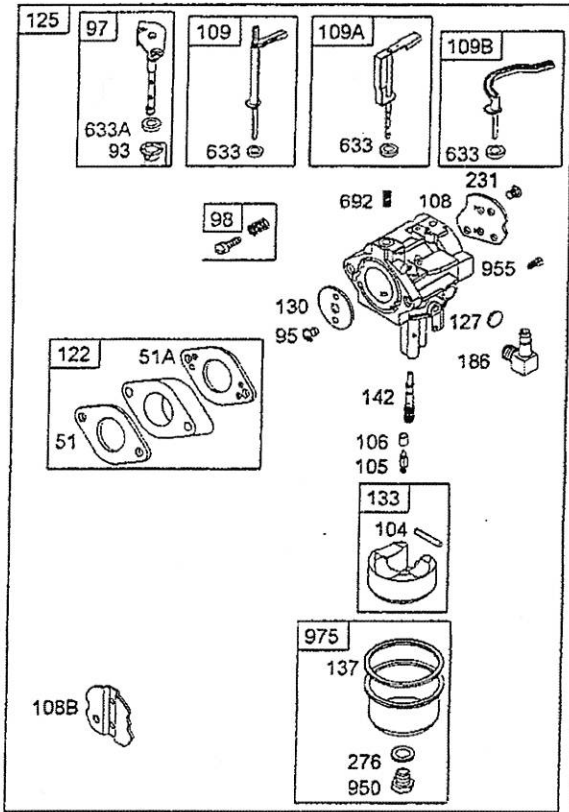
1019 LABEL KIT
1058 OWNER'S MANUAL

Illustrations cover a range of engines. Parts shown without corresponding text are not used on this engine.
5121-2 Assemblies include all parts shown in frames. 05/12/2003



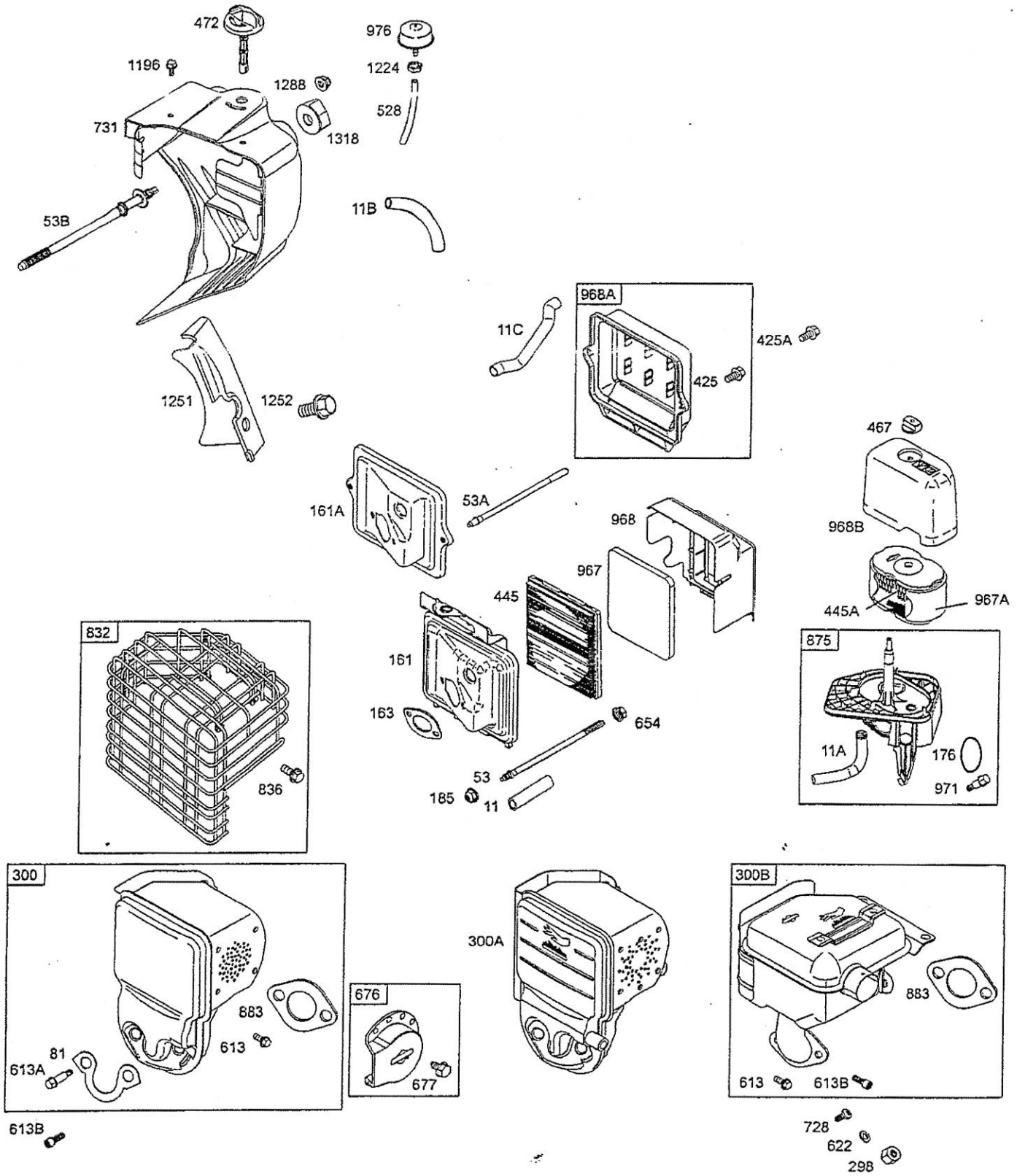
Illustrations cover a range of engines. Parts shown without corresponding text are not used on this engine.
 5121-3 Assemblies include all parts shown in frames. 05/12/2003

210400

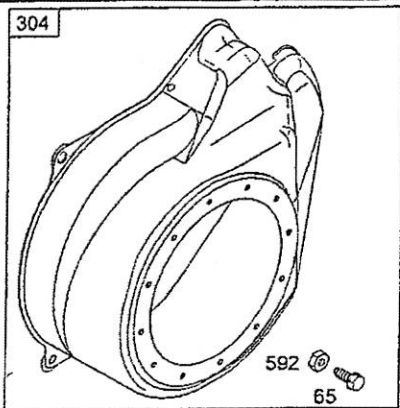


Illustrations cover a range of engines. Parts shown without corresponding text are not used on this engine.
 5121-4 Assemblies include all parts shown in frames. 05/12/2003

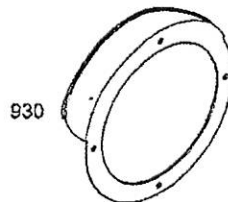
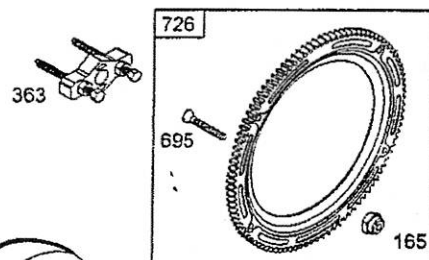
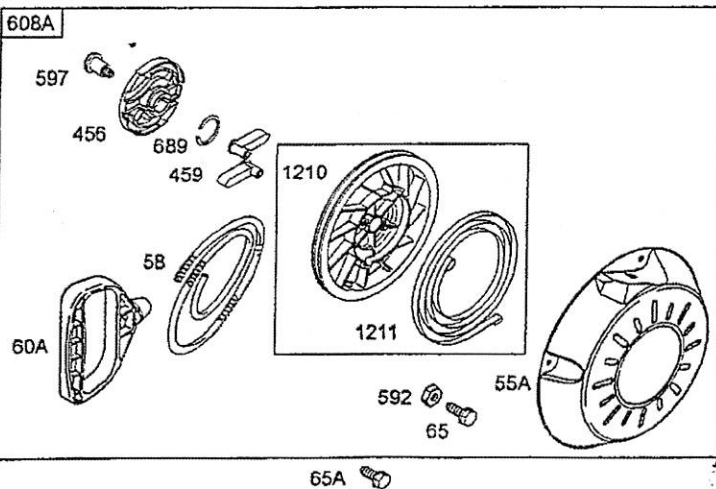
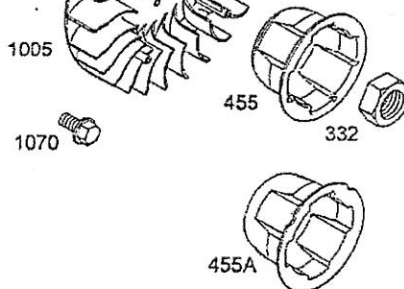
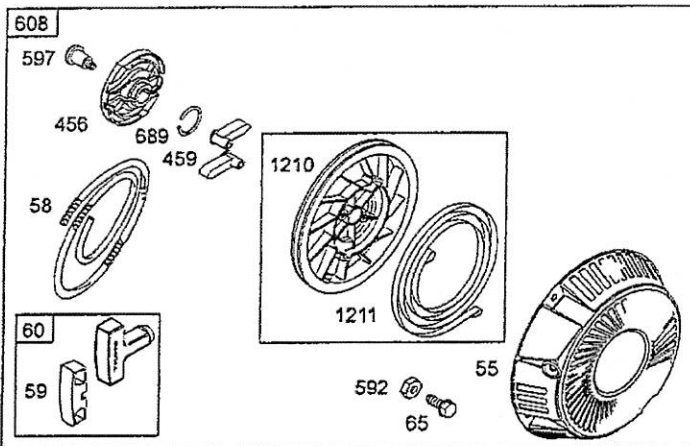
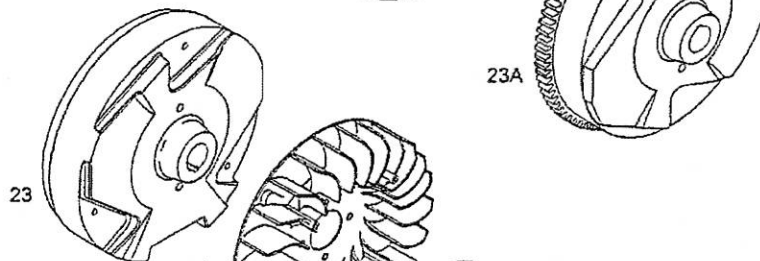
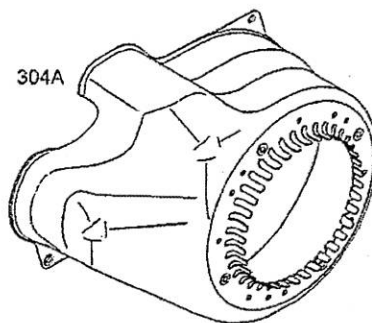
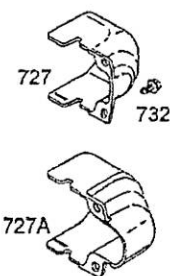
210400



Illustrations cover a range of engines. Parts shown without corresponding text are not used on this engine.
 5121-6 Assemblies include all parts shown in frames. 05/12/2003

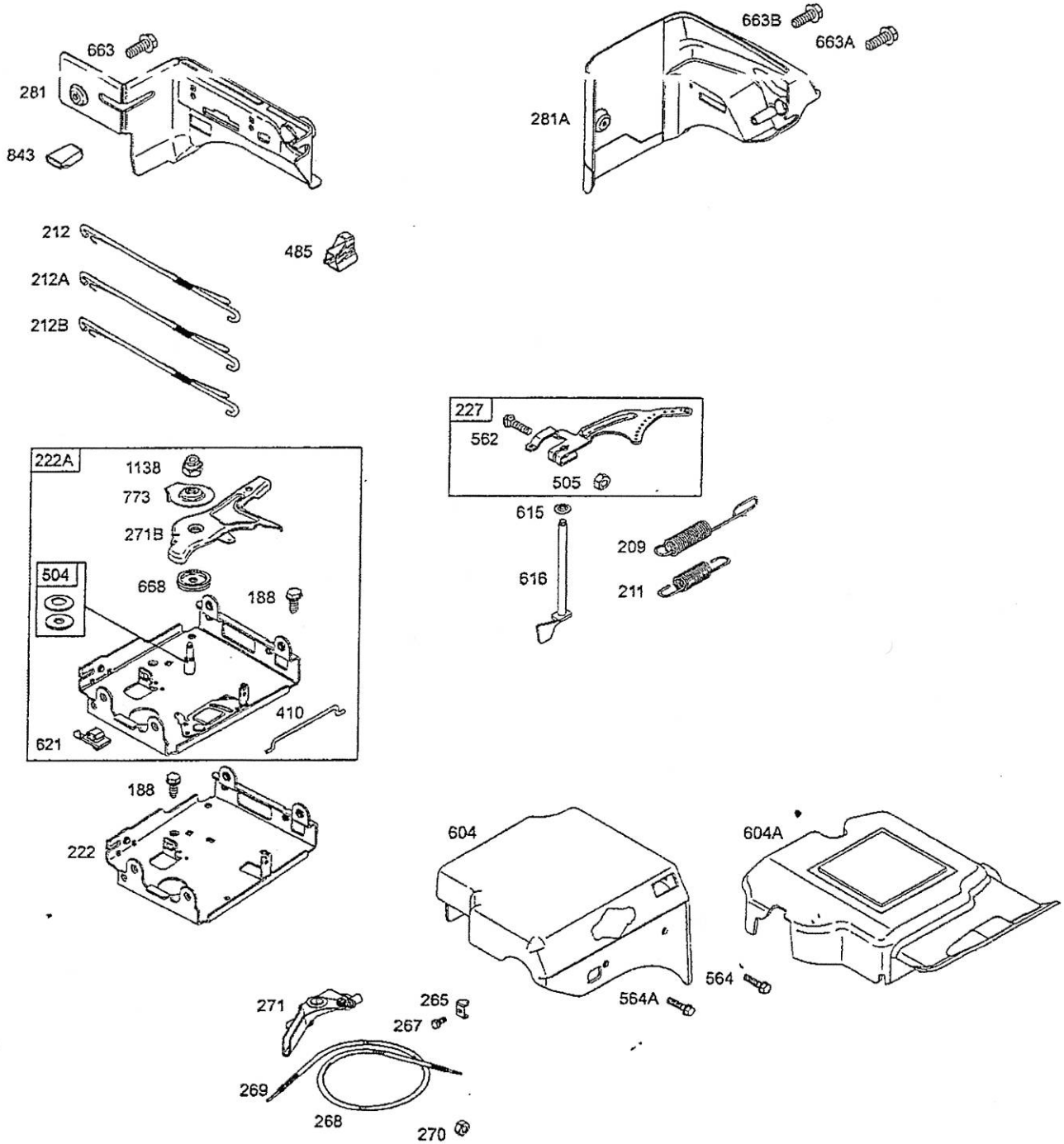


1036 EMISSION LABEL

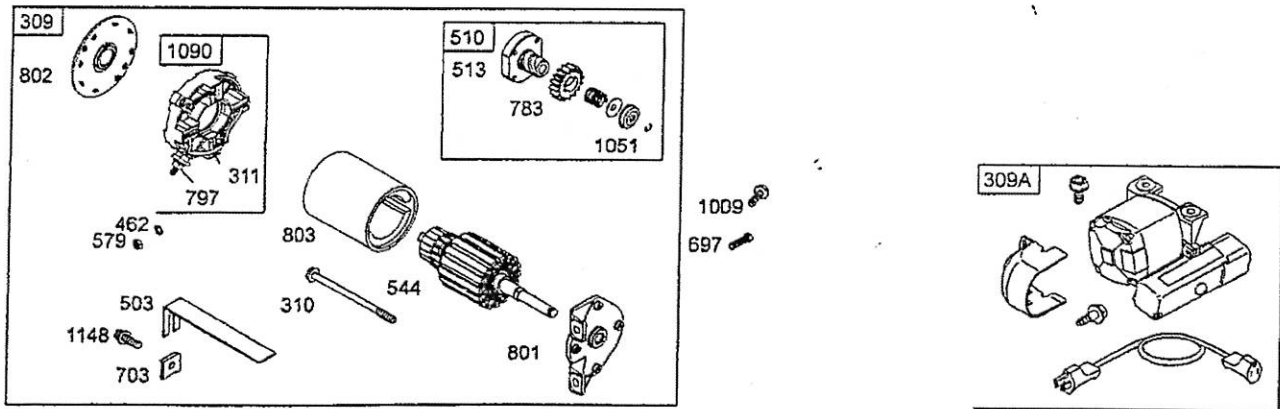
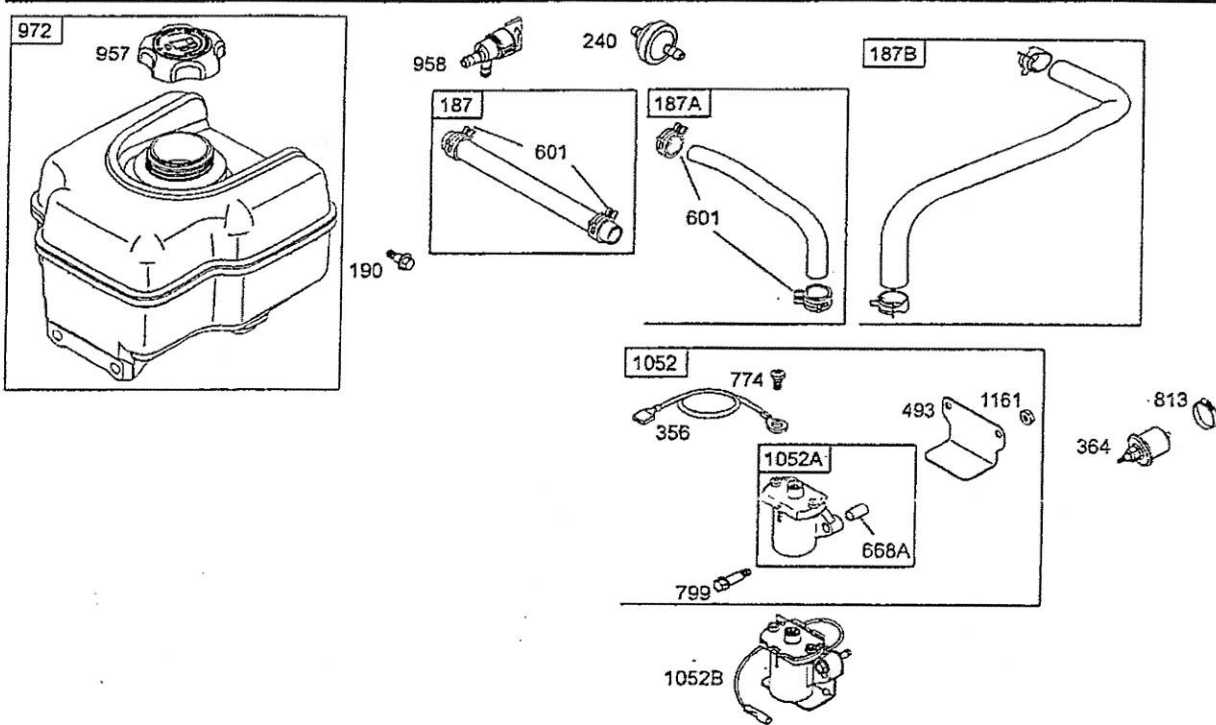


Illustrations cover a range of engines. Parts shown without corresponding text are not used on this engine.
5121-7 Assemblies include all parts shown in frames.

210400



Illustrations cover a range of engines. Parts shown without corresponding text are not used on this engine.
 5121-8 Assemblies include all parts shown in frames. 05/12/2003



Illustrations cover a range of engines. Parts shown without corresponding text are not used on this engine.

REF. NO.	PART NO.	DESCRIPTION	REF. NO.	PART NO.	DESCRIPTION	REF. NO.	PART NO.	DESCRIPTION
1	697702	Cylinder Assembly	18	695372	Cover-Crankcase Used on Type No(s). 0000, 0000, 0100.	32	690976	Screw (Connecting Rod)
2	698340	Kit-Bushing/Seal (Magneto Side)			Note _____	34	697464	Valve-Intake
3	*391086	Seal-Oil (Magneto Side)			696914 Cover-Crankcase	35	694865	Spring-Valve (Intake)
5	697233	Head-Cylinder (Used After Code Date 01102800).			Used on Type No(s). 0046, 0070, 0100, 0110, 0111, 0114, 0124, 0127, 0141.	36	694865	Spring-Valve (Exhaust)
		Note _____	19	698340	Kit-Bushing/Seal (PTO Side)	40	690964	Retainer-Valve
		698040 Head-Cylinder (Used Before Code Date 01102900).	20	*391086	Seal-Oil (PTO Side)	42	499586	Keeper-Valve
7	*697690	Gasket-Cylinder Head	21	281658	Cap-Oil Filt	45	690977	Tappet-Valve
11	694871	Tube-Breather	22	695174	Screw (Crankcase Cover/Sump)	46	697239	Camshaft
11A	695305	Tube-Breather Used on Type No(s). 0186.	23	694954	Flywheel	51	*694874	Gasket-Intake
11C	696796	Tube-Breather Used on Type No(s). 0035, 0036, 0046, 0100, 0110, 0124, 0125, 0131, 0132, 0141.	23A	695485	Flywheel Used on Type No(s). 0127, 0134, 0137.	51A	*694875	Gasket-Intake
12	*694953	Gasket-Crankcase	24	222698	Key-Flywheel	53	694869	Stud (Carburetor)
13	690360	Screw	25	697693	Piston Assembly (Standard)	53A	695433	Stud (Carburetor) Used on Type No(s). 0186.
15	691686	Plug-Oil Drain (Square Head)			Note _____	55	695288	Housing-Rewind Starter
16	695462	Crankshaft Used on Type No(s). 0036, 0100, 0110, 0125, 0141.			697694 Piston Assembly (.010" Oversize)	58	693389	Rope-Starter (Cut to Required Length)
		Note _____			697695 Piston Assembly (.020" Oversize)	59	805957	Insert-Grip
		694678 Crankshaft Used on Type No(s). 0070, 0111, 0114, 0127, 0134, 0135, 0137, 0140.			697696 Piston Assembly (.030" Oversize)	60	715257	Grip-Starter Rope
		695818 Crankshaft Used on Type No(s). 0035.	26	697692	Ring Set (Standard)	65	691696	Screw (Rewind Starter)
		695369-Crankshaft Used on Type No(s). 0046, 0131, 0132, 0186.			Note _____			Note _____
17	695434	Bearing-Ball Used on Type No(s). 0035, 0036, 0125, 0141.			697697 Ring Set (.010" Oversize)	69	69759	Screw (Rewind Starter) Used on Type No(s). 0125, 0127, 0132, 0134, 0135, 0137, 0140, 0141.
					697698 Ring Set (.020" Oversize)	81	695400	Lock-Muffler Screw
			27	690975	Lock-Piston Pin	95A	690718	Screw (Throttle Valve)
			28	696581	Pin-Piston	97A	696387	Shaft-Throttle
			29	694691	Rod-Connecting	98A	*695408	Kit-Idle Speed
			30	694692	Dipper-Connecting Rod	104A	*694918	Pin-Float Hinge
					697699 Ring Set (.030" Oversize)	105A	*696136	Valve-Float Needle
						108A	696143	Valve-Choke
						108B	696209	Valve-Choke Used on Type No(s). 0070, 0111, 0114, 0127, 0134, 0135.

* Included in Engine Gasket Set-Ref. No.358.

• Included in Carburetor Overhaul Kit-Ref. No. 121 &121A.

♦ Included in Carburetor Gasket Set-Ref. No. 977 & 977A.

Δ Included in Valve Gasket Set-Ref. No 1095.

Illustrations cover a range of engines. Parts shown without corresponding text are not used on this engine.

210400

REF. NO.	PART NO.	DESCRIPTION	REF. NO.	PART NO.	DESCRIPTION	REF. NO.	PART NO.	DESCRIPTION
109C	696145	Shaft-Choke Used on Type No(s). 0035, 0036, 0100, 0110, 0124, 0125.	127A	•690727	Plug-Welch	192	690083	Adjuster-Rocker Arm
109D	696144	Shaft-Choke Used on Type No(s). 0186.	130A	696139	Valve-Throttle	209	694867	Spring-Governor
117	•696134	Jet-Main (Standard)	133A	694914	Float-Carburetor			----- Note -----
118	696135	Jet-Main (High Altitude)	135	696142	Tube-Fuel Transfer			695491 Spring
121	696146	Kit-Carburetor Overhaul (Nikki Carburetor)	137A	◆695426	Gasket-Float Bowl			Governor
122*◆◆694876	Spacer-Carburetor		141	696145	Shaft-Choke Used on Type No(s). 0035, 0036, 0100, 0110, 0124, 0125.	211	695307	Spring-Governor Idle
125A	695919	Carburetor Used on Type No(s). 0035, 0036, 0046, 0100, 0110, 0124, 0125, 0131, 0132, 0141.	141B	696208	Shaft-Choke Used on Type No(s). 0070, 0111, 0114, 0127.	212	695917	Link-Throttle (Use With Nikki Carburetor)
		----- Note -----	146	690979	Key-Timing	219	693578	Gear-Governor
		695918 Carburetor (Used Before Code Date 03021000). Used on Type No(s). 0070, 0111, 0114, 0127, 0134, 0135, 0137, 0140.	161	695384	Base-Air Cleaner (Metal) Used on Type No(s). 0035, 0036, 0100, 0110, 0124, 0125, 0131.	220	691724	Washer (Governor Gear)
		698455 Carburetor (Used After Code Date 03020900). Used on Type No(s). 0070, 0111, 0114, 0127, 0134, 0135, 0137, 0140.	161A	694870	Base-Air Cleaner (Metal) Used on Type No(s). 0070, 0111, 0114, 0127, 0135.	222	695380	Bracket-Control Used on Type No(s). 0035, 0036, 0100, 0110, 0124, 0125, 0131, 0141.
		----- Note -----	163*◆◆692277	Gasket-Air Cleaner	222A	694866	Bracket-Control Used on Type No(s). 0186.	
		695920 Carburetor Used on Type No(s). 0186.	165	694685	Nut (Ring Gear)			----- Note -----
			176*◆◆691917	Seal-O Ring (Air Cleaner Base)			698984 Bracket- Control Used on Type No(s). 0046, 0070, 0111, 0114, 0127, 0134, 0135, 0140.	
				◆◆691876 Seal-O Ring (Air Cleaner Base) Used on Type No(s). 0114, 0137.	227	694864	Lever-Governor Control	
			185	690958	Nut (Air Cleaner Base)	231	690718	Screw (Choke Valve)
			187	691050	Line-Fuel (Cut To Required Length)	240	298090	Filter-Fuel Used on Type No(s). 0070, 0111, 0114, 0127, 0134, 0135.
			187A	695429	Line-Fuel	265	691024	Clamp-Casing Used on Type No(s). 0124, 0125.
			188	690877	Screw (Control Bracket)	268	691025	Casing-Control Wire (Cut to Required Length)
			190	692127	Screw (Fuel Tank)	269	691026	Wire-Control (Cut to Required Length)
					270	691027	Nut (Control Wire Casing)	

* Included in Engine Gasket Set-Ref. No.358.
 • Included in Carburetor Overhaul Kit-Ref. No. 121 &121A.

◆ Included in Carburetor Gasket Set-Ref. No. 977 & 977A.
 Δ Included in Valve Gasket Set-Ref. No 1095.

Illustrations cover a range of engines. Parts shown without corresponding text are not used on this engine.

5121-12

Assemblies include all parts shown in frames.

05/12/2003

REF. NO.	PART NO.	DESCRIPTION	REF. NO.	PART NO.	DESCRIPTION	REF. NO.	PART NO.	DESCRIPTION
271	695381	Lever-Control	286B	696702	Module-Oil Sensor (Used After Code Date 03010500).	304A	697274	Housing-Blower Used on Type No(s). 0125.
271B	691028	Lever-Control			Used on Type No(s). 0070, 0111, 0114, 0135, 0141.			----- Note -----
281	697268	Panel-Control (Used After Code Date 01102800).	287	691693	Screw (Dipstick Tube) Used on Type No(s). 0046, 0124, 0132, 0186.	305	690960	Screw (Blower Housing)
		----- Note -----			Used on Type No(s). 0127, 0134, 0137, 0141.	306	694677	Shield Cylinder (Used Before Code Date 01102900).
		695294 Panel-Control (Used Before Code Date 01102900).	298	698838	Locknut-Muffler/Elbow Used on Type No(s). 0137.	306A	697240	Shield-Cylinder (Used After Code Date 01102800).
286	695186	Module-Oil Sensor (Used Before Code Date 03010600). Used on Type No(s). 0070, 0111, 0114, 0135, 0141.	300	697252	Muffler (Used After Code Date 01120200).	307	690960	Screw (Cylinder Shield)
		----- Note -----	300A	695311	Muffler (Used Before Code Date 01120300)	307A	691660	Screw (Cylinder Shield)
		698870 Module-Oil Sensor (Used After Code Date 03010500). Used on Type No(s). 0114, 0134, 0140.	304	697250	Housing-Blower (Used After Code Date 01102800).	309	695479	Motor-Starter Used on Type No(s). 0127, 0132, 0134, 0137, 0140.
286A	696566	Module-Oil Sensor (Used Before Code Date 03010600). Used on Type No(s). 0114, 0134, 0140.			----- Note -----			
					694687 Housing-Blower (Used Before Code Date 01102900)			
					699012 Housing-Blower Used on Type No(s). 0135.			
					699019 Housing-Blower Used on Type No(s). 0140.			

* Included in Engine Gasket Set-Ref. No.358.

• Included in Carburetor Overhaul Kit-Ref. No. 121 &121A.

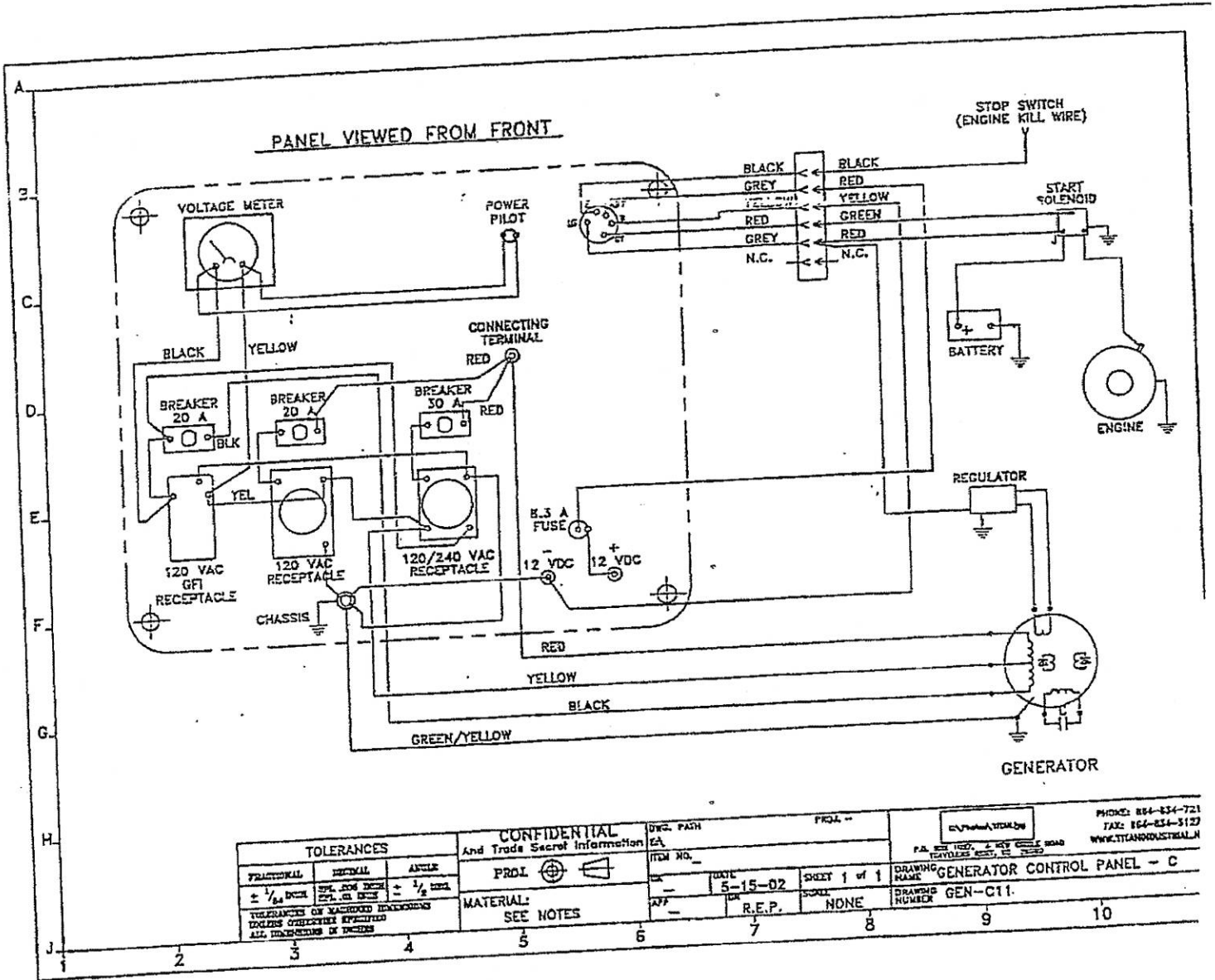
◆ Included in Carburetor Gasket Set-Ref. No. 977 & 977A.

△ Included in Valve Gasket Set-Ref. No 1095.

Illustrations cover a range of engines. Parts shown without corresponding text are not used on this engine.

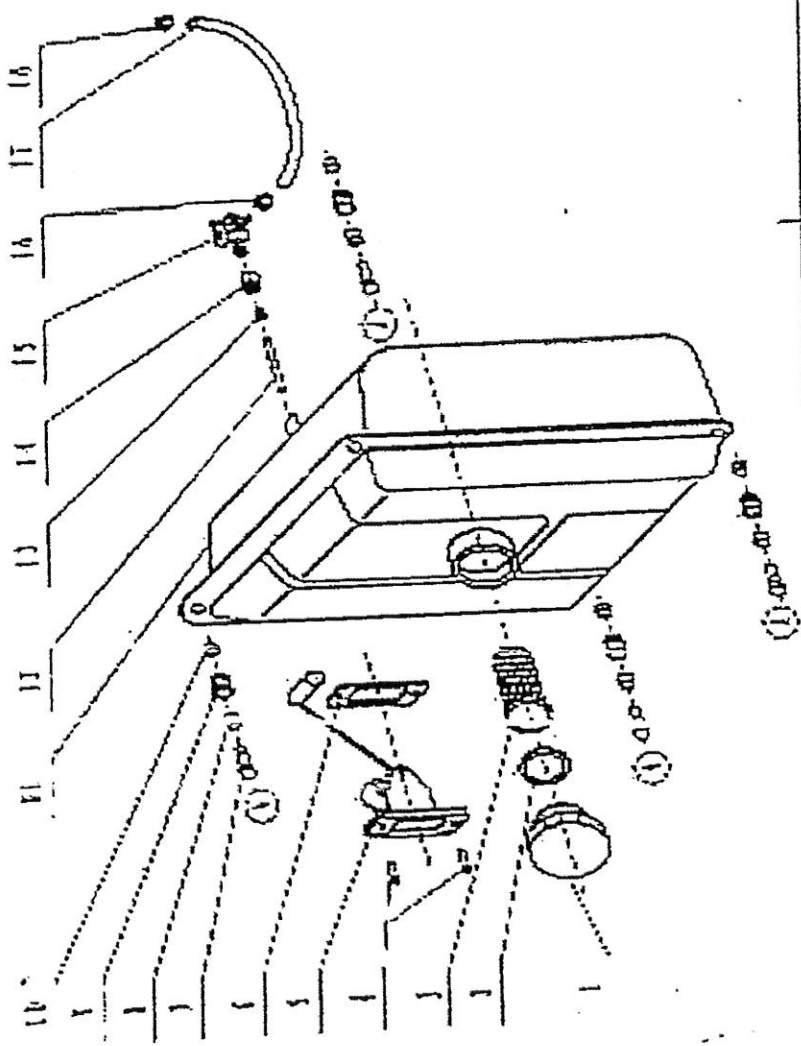
7000
 TITAN

Generator side

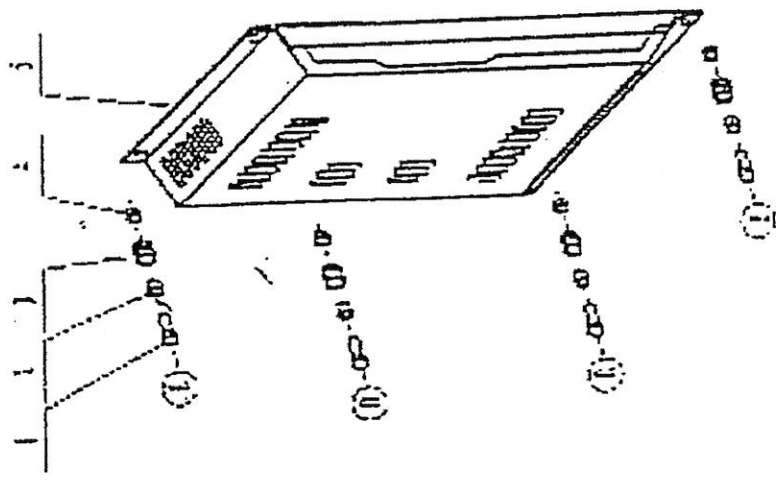


- 1. FUEL TANK CAP
- 2. RUBBER GASKET
- 3. FILTER NET
- 4. SCREW GAUGE
- 5. FUEL SEAL
- 6. OIL SEAL
- 7. M6-SCREW
- 8. BUSH
- 9. RUBBER GASKET

- 10. NUT
- 11. FUEL TANK
- 12. NET
- 13. OIL SEAL
- 14. NUT
- 15. FUEL COCK
- 16. CLAMP
- 17. GAS LINE



- 1. M6-SCREW
- 2. BUSH
- 3. RUBBER
- 4. NUT
- 5. SHROUD



Generator End

GSA-L3-2 □6.5KVA) 120/240V 60Hz

L=150MM, Main Coil:0.70, Second Coil:1.50, Charge
Coil:0.15, Rotor:4.80

GSA-L2-2 □5KVA) 120/240V 60Hz

L=140MM, Main Coil:0.78, Second Coil:2.50, Charge
Coil:0.156, Rotor:4.60