

Do Not Operate Equipment until reading & understanding Owner's Manual!
Disconnect all loads before starting or stopping generator.
Allow to run for a few minutes with no load before stopping.

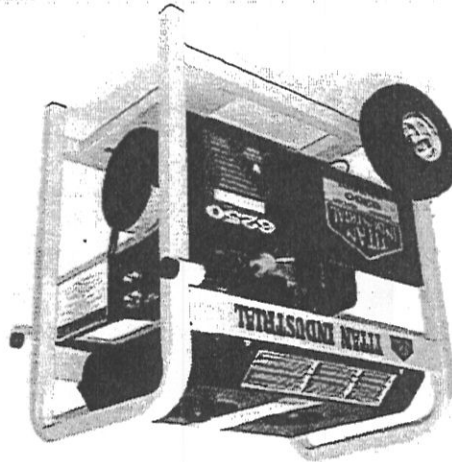
WARNING!

It is extremely important to read and understand the entire contents of this Owner's Manual for the Titan Industrial Model TG-6250 before attempting to operate the generator. This is a gasoline engine powered, industrial strength generating unit of electrical power. The gasoline engine and the generator are both potentially extremely hazardous and could cause physical injury or even death if improperly used.

IMPORTANT!

The Emission Control System for this generator is warranted for standards set by the Environment Protection Agency.

OWNER'S MANUAL MODEL TG-6250 Industrial Generator



TITAN INDUSTRIAL SALES LTD.
45 Bramlea Road, Suite 102
Bramlea, Ontario L6T-2W4
Phone Toll Free 800-255-1206

TITAN INDUSTRIAL INC

This Manual contains information to protect your safety and to prevent equipment problems. Various terms such as 'WARNING', 'CAUTION', 'DANGER', 'IMPORTANT', and the SYMBOL are all used to signify information that is essential for the operator of this equipment to understand and to practice!

GENERATOR MUST BE ISOLATED FROM ELECTRIC UTILITY by opening the electrical systems main circuit breaker or main switch if the generator is used for backup power. FAILURE TO ISOLATE THIS GENERATOR FROM THE POWER UTILITY MAY RESULT IN INJURY OR DEATH TO ELECTRIC UTILITY WORKERS AND CAUSE DAMAGE TO THE GENERATOR

TWO (2) FEET CLEARANCE on all sides is required even while using outdoors.

FOR OUTDOOR USE ONLY! Never use this unit inside any enclosure including the generator compartment of a recreation vehicle (RV) or inside any building. No modifications will eliminate the danger of possible carbon monoxide poisoning, fire, or explosion.

READ AND COMPLETELY UNDERSTAND entire contents of this Owner's Manual and become familiar with the unit before attempting to start using this equipment! It is your responsibility to know its applications, limitations, and hazards! Call the factory or an authorized service center with any questions.

It is extremely important to read and understand the entire contents of this Owner's Manual for the Titan Industrial - Model TG-6250 before attempting to operate the generator. This is a gasoline engine powered, industrial strength generating unit of electrical power. The gasoline engine and the generator are both potentially extremely hazardous and could cause physical injury or even death if improperly used. TITAN INDUSTRIAL shall not be responsible for any consequences resulting from improper use of this equipment. The operator is required to read the entire contents of this manual before attempting to operate the unit. If the operator does not completely understand the instructions and all of the hazards of operating this unit after reading this manual, he must call the factory or an authorized service center to answer these questions to his complete satisfaction before proceeding.

**OWNER'S MANUAL
MODEL TG-6250
Industrial Generator**

**TITAN
INDUSTRIAL INC**

**IMPORTANT!
READ FIRST**

SAFETY

This generator was designed for specific applications. DO NOT attempt to modify the unit in any way or use it for any application that it was not designed to do. Ask the dealer or contact the factory if you have any questions concerning the generator's application.

Warnings and cautions in this manual and on decals and tags on the unit are not all inclusive. It would be impossible to anticipate every circumstance that might involve a hazard. Handling, operating, or servicing this unit by any procedure not recommended by the manufacturer may render this equipment unsafe and may pose a threat to you or to others.

- ⚡ The generator produces a very powerful voltage that can cause extremely dangerous electrical shock. Avoid contact with bare wires, terminals, etc. never permit an unqualified person to operate or service the generator.
- ⚡ Never handle any kind of electrical cord or device while standing in water, while barefoot or with wet hands or when feet are wet. Danger - electrical shock could result.
- ⚡ The National Electric Code requires that the frame and external conductive parts be properly connected to an approved earth ground. Local electrical codes may vary. Check with an electrician for local grounding requirements.
- ⚡ Use a ground fault circuit interrupter in any damp or highly conductive area such as metal decking or steel work.
- ⚡ Do not use worn, bare, frayed or otherwise damaged electrical cords or wiring with the generator. A defective cord may result in electrical shock or may cause damage to equipment.
- ⚡ Do not expose unit to excessive moisture or dirt or corrosive vapors. Unit must be operated on a level surface.
- ⚡ Comply with all laws regulating the storage and handling of gasoline. Gasoline is highly flammable and explosive. Avoid spilling gasoline on a hot engine. Do not allow smoking, open flames, sparks or heat in the vicinity while handling gasoline.
- ⚡ Do not overfill the fuel tank. Always allow room for fuel expansion. Gasoline could overflow and cause fire or explosion if tank is overfilled.

- ⚡ Only operate this unit outside with adequate ventilation. This generator's gasoline engine exhaust produces carbon monoxide gas that can cause unconsciousness or even death.
- ⚡ Never store a generator with fuel in the tank where gasoline vapors could be ignited by a flame, spark, or pilot light from an appliance such as a furnace, water heater, or clothes dryer.
- ⚡ The engine on the generator is air cooled which requires an adequate flow of air for proper operation. Never operate under conditions where air flow is obstructed because unit may overheat and damage the generator or nearby property.
- ⚡ Always allow a minimum of 2 feet clearance on all sides for ventilation while unit is operating.
- ⚡ Generator must always be stopped or started with all loads unconnected. Start the engine and let it stabilize before connecting any loads. Disconnect all loads before shutting down the generator.
- ⚡ Never insert any object through the cooling slots of the engine. You could damage the unit or cause injury.
- ⚡ NEVER OPERATE THE GENERATOR:
 - ⚡ In rain
 - ⚡ In an enclosed compartment
 - ⚡ If connected devices overheat
 - ⚡ If electrical output is lost
 - ⚡ If engine or generator sparks
 - ⚡ If flame or smoke is observed
 - ⚡ If unit vibrates excessively

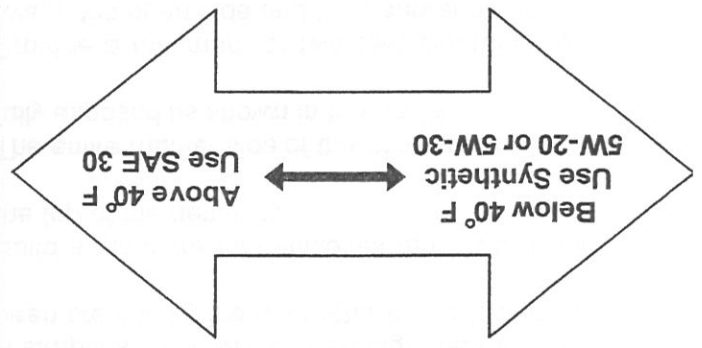
CAUTION! The engine exhaust contains chemicals known to the State of California to cause cancer, birth defects, or other reproductive harm.

BEFORE STARTING THE ENGINE

FILL OIL

WARNING!
DO NOT ATTEMPT TO START THE ENGINE BEFORE FILLING WITH OIL!

Select Oil grade according to operating temperature



Fill with selected oil grade

- ✦ Place generator on a level surface.
- ✦ Clean area around oil fill opening.
- ✦ Remove the dipstick.
- ✦ Wipe the dipstick clean.
- ✦ Pour oil in until it reaches the FULL mark on dipstick.
- ✦ DO NOT OVERFILL!

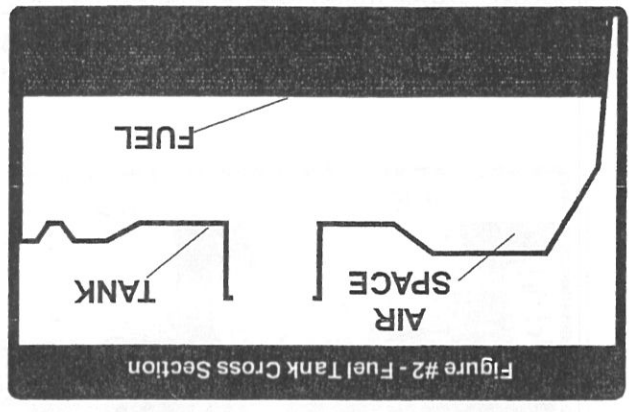
Note:
The generator's revolving field rides on a sealed ball bearing that requires no additional lubrication for the life of the bearing.

FILL GASOLINE

WARNING!
Do not overfill! Leave room for fuel expansion. Never fill fuel indoors. Never fill fuel when engine is hot or running. Do not smoke or fill fuel near an open flame or sparks.

Fill with regular unleaded gasoline

- ✦ Use only regular unleaded gasoline.
- ✦ DO NOT USE premium gasoline.
- ✦ DO NOT mix oil with gasoline.
- ✦ Clean area around fuel cap.
- ✦ Remove fuel cap.
- ✦ Add gasoline to fuel tank.
- ✦ DO NOT overfill. Allow 1/2 inch for fuel expansion.
- ✦ Replace fuel cap.
- ✦ Wipe up any spilled gasoline.



OPERATION OF THE GENERATOR

Starting the engine

When the engine starts, move the Choke Lever to the '1/2 Choke' position until the engine begins to run smooth. Once the engine is running smooth, move the Choke Lever to the 'No Choke' position.

NOTE: If the engine fails to start after 3 pulls, move the Choke Lever to the 'No Choke' position and pull the starter rope again.

NOTE: If the engine fails to start after 3 pulls, check the oil level in the crankcase because the unit is equipped with a low oil shutdown system.

NOTE: If the engine fires, but does not continue to run, move the Choke Lever to the 'Full Choke' position.

Connecting electrical loads

Let engine stabilize and warm up for a few minutes.

Make sure devices to be connected are in the 'Off' position before connecting to the generator.

Make sure to plug in desired devices into the correct receptacle.

DO NOT connect 240 Volt loads to the 120 Volt duplex receptacles.

DO NOT connect 3 phase loads to the generator.

DO NOT connect 50 Hz loads to the generator.

DO NOT overload the generator. Add up the rated Watts of all loads to be connected. This total should not exceed 5,000 Watts.

Stopping the engine

Turn off all electrical devices connected to the generator.

Unplug all devices from the generator.

WARNING:

DO NOT start or stop generator with electrical devices plugged in.

Allow the generator engine to run at a 'No Load' condition for several minutes to stabilize internal engine temperature before stopping.

Move Engine Control Switch to the OFF (o) position.

Close the Fuel Shut Off Valve

Generator maintenance

Keep the generator clean and dry. Use a damp cloth to clean exterior surfaces. Remove caked on dirt with a soft brush.

Never spray with water. Water can contaminate the engine fuel system and cause serious problems in the generator.

Never use alcohol blended fuel (gasohol, ethanol, or methanol). They tend to draw moisture and separate and form acids which could damage the fuel system while in storage.

Damage may occur if engine or carburetor cleaning products are used.

Storage

IMPORTANT:

Empty fuel system if unit is to be stored for 30 days or more. This will help prevent gum deposits from forming in fuel system such as the carburetor, fuel filter, fuel hose, and fuel tank during storage.

Wattage Reference Guide

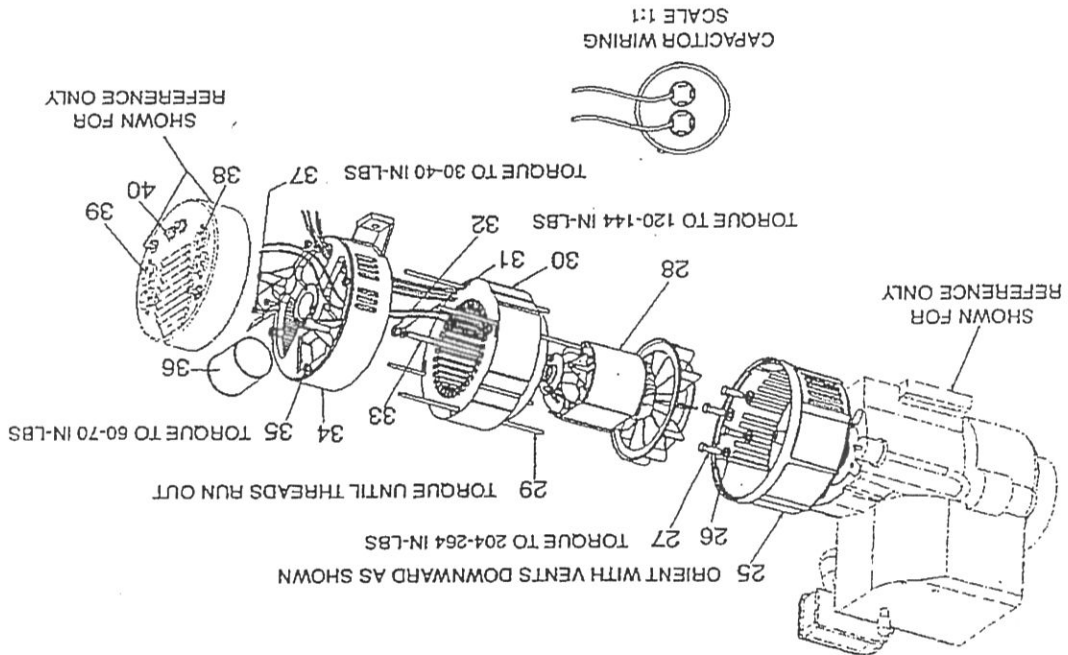
Device	Running Watts	Device	Running Watts
*Air Conditioner (12,000 BTU)	1700	Impact Wrench	500
Battery Charger (20 Amp)	500	*Jet Pump	800
Belt Sander (3")	1000	Lawn Mower	1200
Chain Saw	1200	Light Bulb	100
Circular Saw (6-1/2")	800 to 1000	Microwave Oven	700
Coffee Maker	1000	*Milk Cooler	1100
Compressor (1 HP)	2000	Oil Burner on Furnace	300
Compressor (3/4 HP)	1800	Oil Fired Space Heater (140,000 BTU)	400
Compressor (1/2 HP)	1400	Oil Fired Space Heater (85,000 BTU)	225
Curling Iron	700	Oil Fired Space Heater (30,000 BTU)	150
*Freezer	500	*Airless Paint Sprayer (1/3 HP)	600
Disc Sander (9")	1200	Handheld Airless Paint Sprayer	150
Edge Trimmer	500	Radio	50 to 200
Electric Nail Gun	1200	*Refrigerator	600
Electric Range (one element)	1500	Slow Cooker	200
Electric Skillet	1250	*Submersible Pump (1-1/2 HP)	2800
*Furnace Fan (1/3 HP)	1200	*Submersible Pump (1 HP)	2000
Hair Dryer	1100	*Submersible Pump (1/2 HP)	1500
Hand Drill (1")	750 to 1000	Sump Pump	600
Hand Drill (1/2")	500	*Table Saw (10")	1750 to 2000
Hand Drill (3/8")	250	Television	200 to 500
Hand Drill (1/4")	500	Weed Trimmer	500

*Allow 3 times the listed Watts for starting these devices
These wattages shown are approximate and may vary with each specific device

MG-GENAN-F Operators Manual	MG-GENAN-F Operators Manual
GEN-5000 Parts Manual	GEN-5010-1 Parts Manual
GS-0113 Engine Manual	GS-0113 Engine Manual

Refer to Page 4 in the Generator Repair Section for further diode information.

KEY	NO.	DESCRIPTION	PART NUMBER
	25	DRIVE END ADAPTER	GS-0076
	26	LOCK WASHER 3/8	SSN-619
	27	CAP SCREW 3/8-16 x 1	SSF-577
	28	ROTOR ASSEMBLY	GS-0478
	29	STATOR THRU BOLT	GS-0110
	30	STATOR ASSEMBLY	GS-0100-1
	31	WASHER 11/16 OD x 11/32	SS-6506-CD
	32	NUT 5/16-24	SSF-576
	33	ROTOR THRU BOLT	GS-0091-1
	34	BEARING SUPPORT	GS-0681
	35	HEX NUT 1/4-20	SSF-575
	36	CAPACITOR	GS-0104
	37	SCREW 10-32 x 1/2	SSF-553
	38	120V DUPL. RECEPTACLE	GS-0019
	39	240V DUPL. RECEPTACLE	GS-0020
	40	CIRCUIT BREAKER(20A)	GS-0025
ITEM NOT SHOWN			
		*DIODE(S)	GS-0082
		CABLE TIE	GS-0105
		BEARING COVER	GS-0106
		O-RING (included in GS-0681)	GS-0682

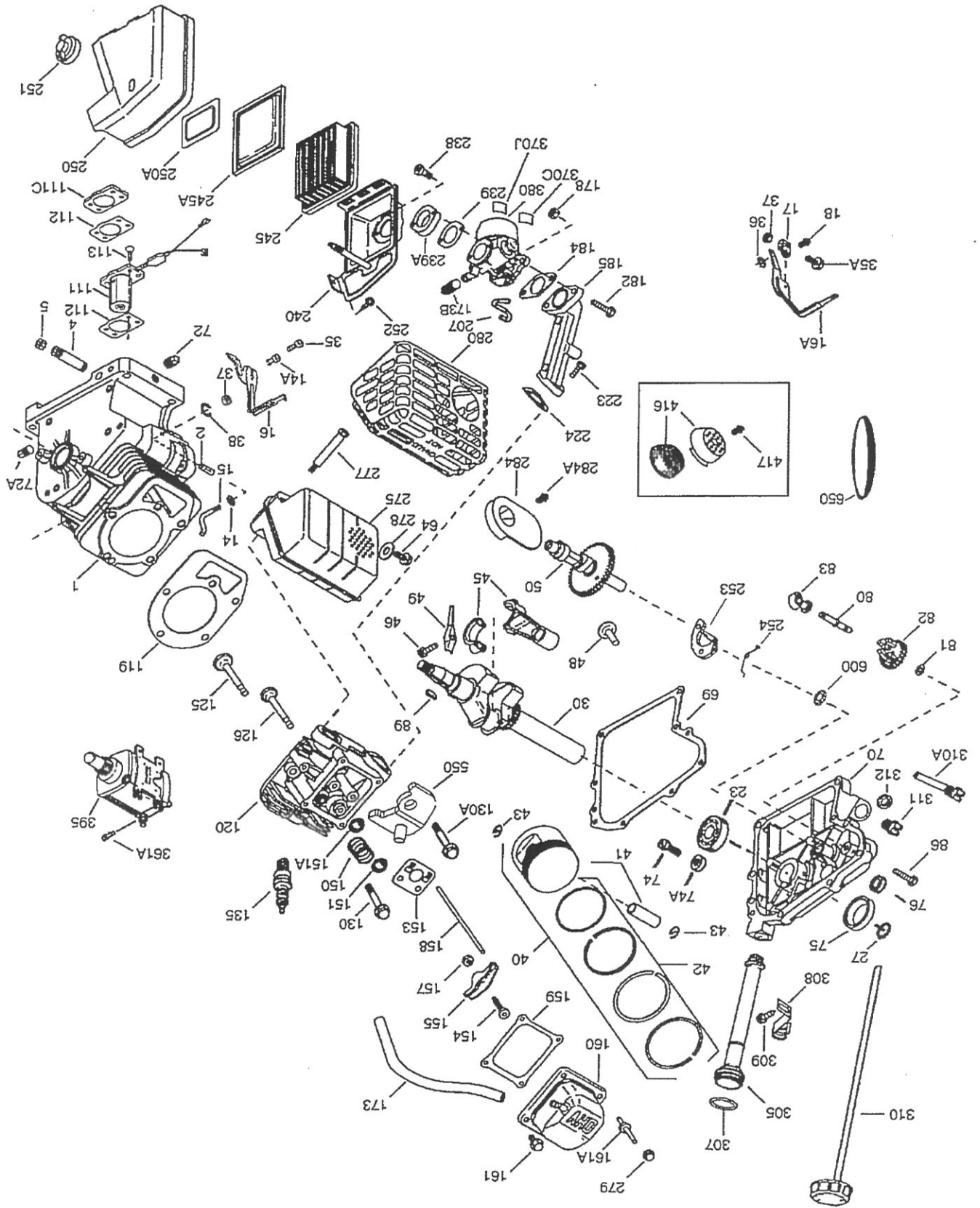


GB5000-1 / GB5010 (cont'd)

76250 capacitor

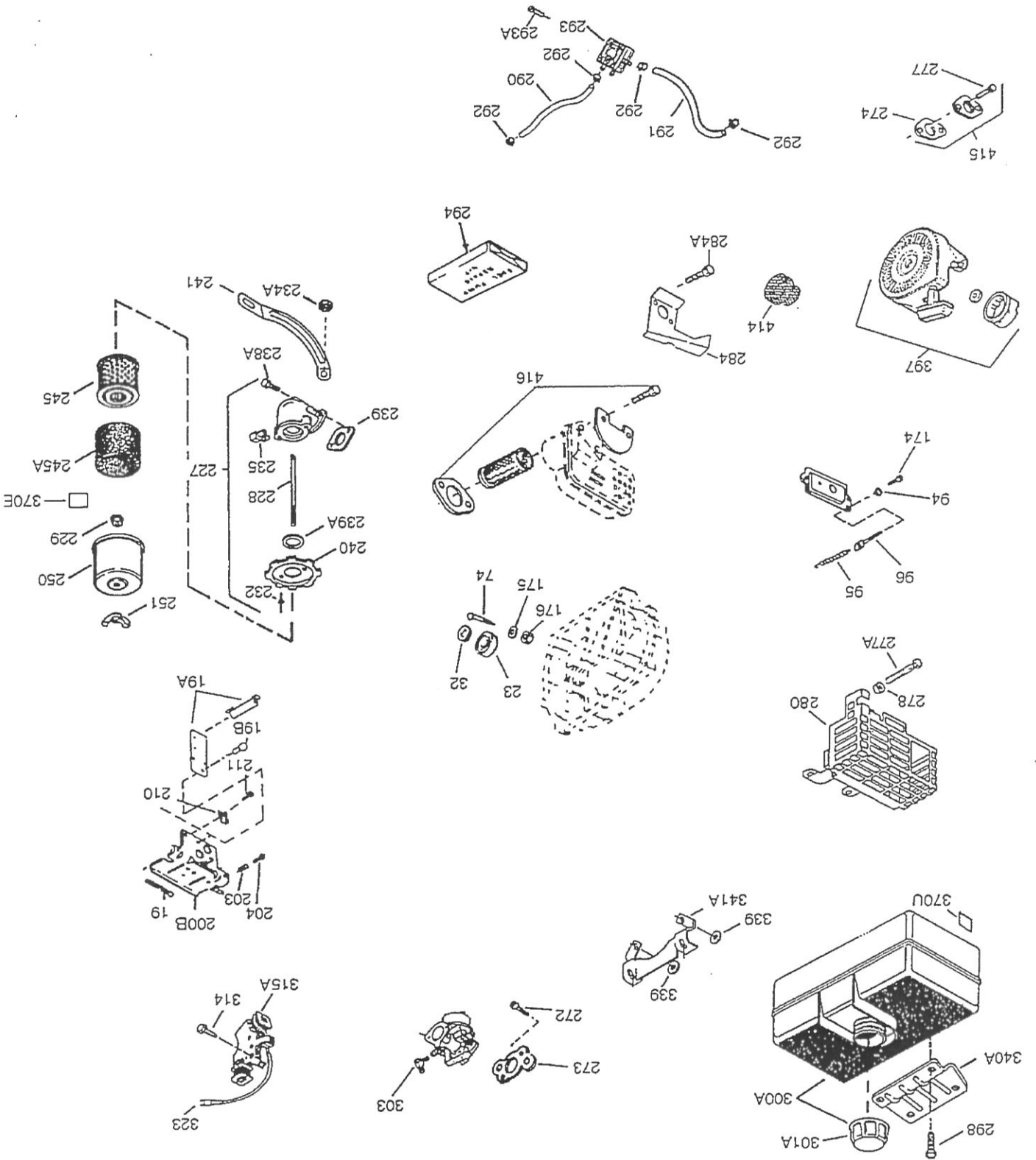
Tec. Engine

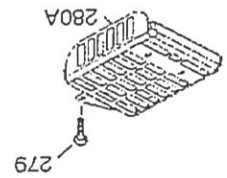
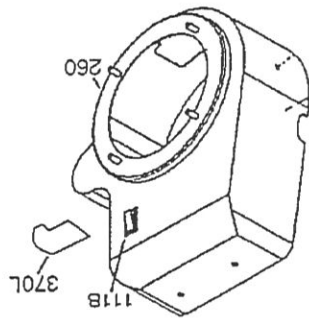
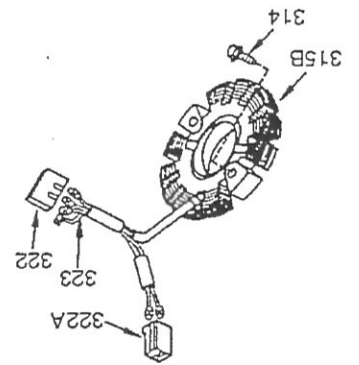
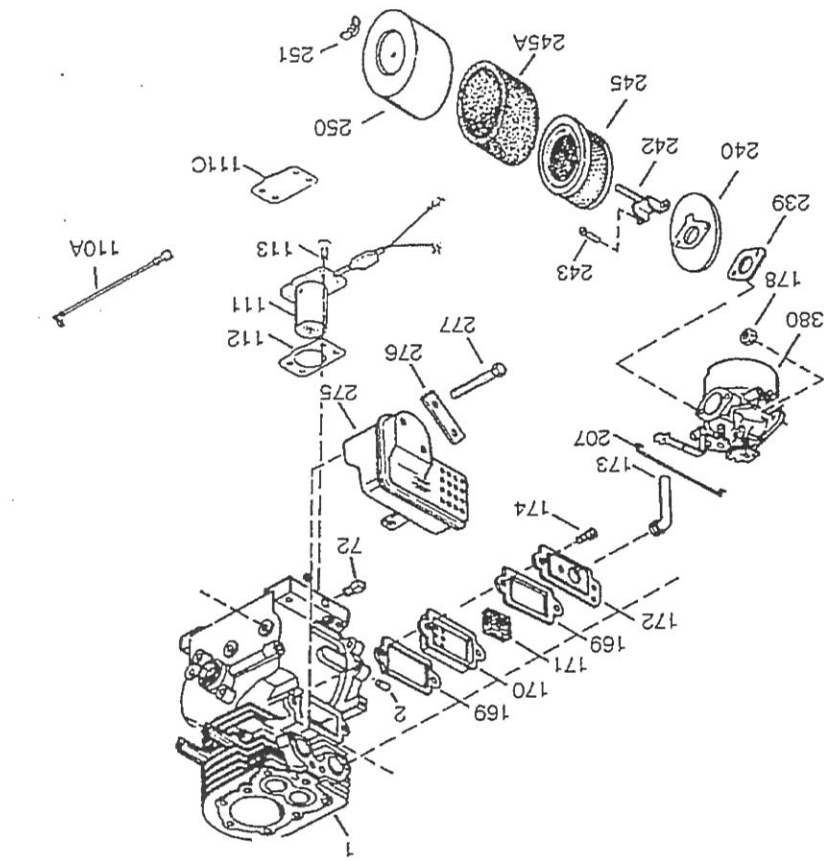
OHV50-68170G
Engine Parts List #1



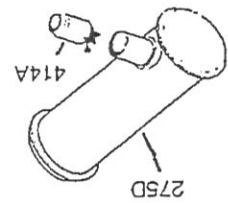
Ref #	Part Number	Qty	Description
1	37107B	1	Cylinder (incl. 2, 20, 72 & 72A)
2	26727	2	Dowel Pin
14	651052	1	Washer
15	37108	1	Governor Rod
16	37110	1	Governor Lever
30	35133	1	Crankshaft
35	651053	1	Screw, T-25, 10-32 x 63/64"
37	29216	1	Lock Nut
38	37109	1	Retaining Ring
40	35544A	1	Piston, Pin & Ring Set (Std.)
40	35545A	1	Piston, Pin & Ring Set (.010" OS)
40	35546	1	Piston, Pin & Ring Set (.020" OS)
41	35541	1	Piston & Pin Assy (Std.) (incl. 43)
41	35542	1	Piston & Pin Assy (.010" OS) (incl. 43)
41	35543	1	Piston & Pin Assy (.020" OS) (incl. 43)
42	35547A	1	Ring Set (Std.)
42	35548A	1	Ring Set (.010" OS)
42	35549	1	Ring Set (.020" OS)
43	20381	2	Piston Pin Retaining Ring
45	32875A	1	Connecting Rod Assy (incl. 46 & 49)
46	32610A	2	Connecting Rod Bolt
48	35616	2	Valve Lifter
49	36611	1	Oil Dipper
50	37040	1	Camshaft (incl. 253 & 254)
64	651015	2	Screw, 1/4-20 x 1-1/8"
69	36624	1	* Cylinder Cover Gasket
70	36625	1	Cylinder Cover (incl. 75 thru 83 & 31 1)
72A	28582	1	Oil Drain Plug
72	27642	1	Oil Drain Plug
75	27897	1	Oil Seal
80	30574A	1	Governor Shaft
81	30590A	1	Washer
82	30591	1	Governor Gear Assembly (incl. 81)
83	36057	1	Governor Spool
86	650488	8	Screw, 1/4-20 x 1-1/4"
89	610961	1	Flywheel Key
119	36738	1	* Cylinder Head Gasket
120	37455	1	Cylinder Head
125	36471	1	Exhaust Valve (Std.) (incl. 151)
125	36472	1	Exhaust Valve (1/32" OS) (incl. 151)
126	37711	1	Intake Valve (Std.) (incl. 151)
130A	650999	1	Screw, 5/16-18 x 2-4/64"
130	650912	4	Screw, 5/16-18 x 1-1/2"
135	34645	1	Resistor Spark Plug (RN4C)
150	37039	2	Valve Spring
151	31673	2	Valve Spring Cap
151A	40016A	1	Intake Valve Seal
153	36649	1	Push Rod Guide
154	650913	2	Rocker Arm Stud
155	35624A	2	Rocker Arm
157	650914	2	Nut, 1/4-28
158	36629	2	Push Rod
159	35626	1	* Rocker Arm Cover Gasket

Ret #	Part Number	Qty	Description
160	36630B	1	Rocker Arm Cover
161	651008	2	Screw, 1/4-20 x 31/64"
161A	651012	2	Stud
173	36675A	1	Breather Tube
178	650852	2	Nut, 1/4-20
182	650451	2	Screw, 1/4-20 x 1"
184	26756	1	* Carburetor To Intake Pipe Gasket
185	36631	1	Intake Pipe
207	36632	1	Throttle Link
223	650451	2	Screw, 1/4-20 x 1"
224	36581	1	* Intake Pipe Gasket
238	28820	2	Screw, 10-32 x 1/2"
239	27272A	1	* Air Cleaner Gasket
240	36633A	1	Air Cleaner Body (Incl. 239)
245	36046	1	Air Cleaner Filter
250A	37074	1	Air Cleaner Baffle
250	37073	1	Air Cleaner Cover
251	650886	1	Wing Nut
253	36701	1	Compression Release Weight
254	36702	1	Compression Release Spring
275	37595	1	Muffler
277	650988	2	Screw, 1/4-20 x 2-9/32"
278	36674	1	Spacer
279	650852	2	Nut
280	36893	1	Heat Shield
284	36663	1	Muffler Deflector (Incl. 284A)
284A	650760	1	Screw, 8-32 x 3/8"
310A	36678	1	Dipstick
311	27625	2	Oil Fill Plug Assembly
312	29673	1	Oil Fill Plug Gasket
380	640264	1	Carburetor (Incl. 184)
416	36085	1	Spark Arrestor Kit (Incl. 417) (Optional)
417	650760	1	Screw, 8-32 x 3/8"
600	651013	1	Washer

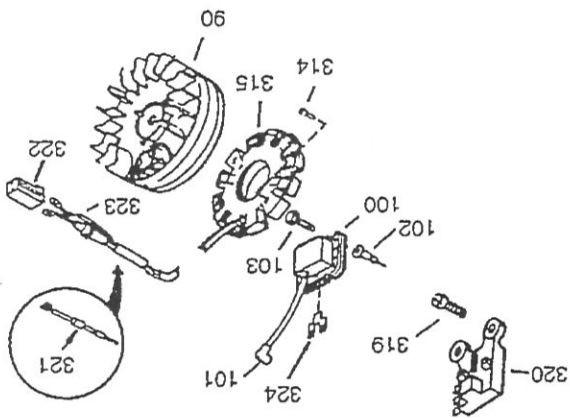
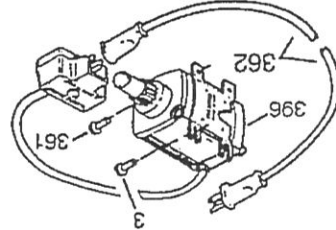


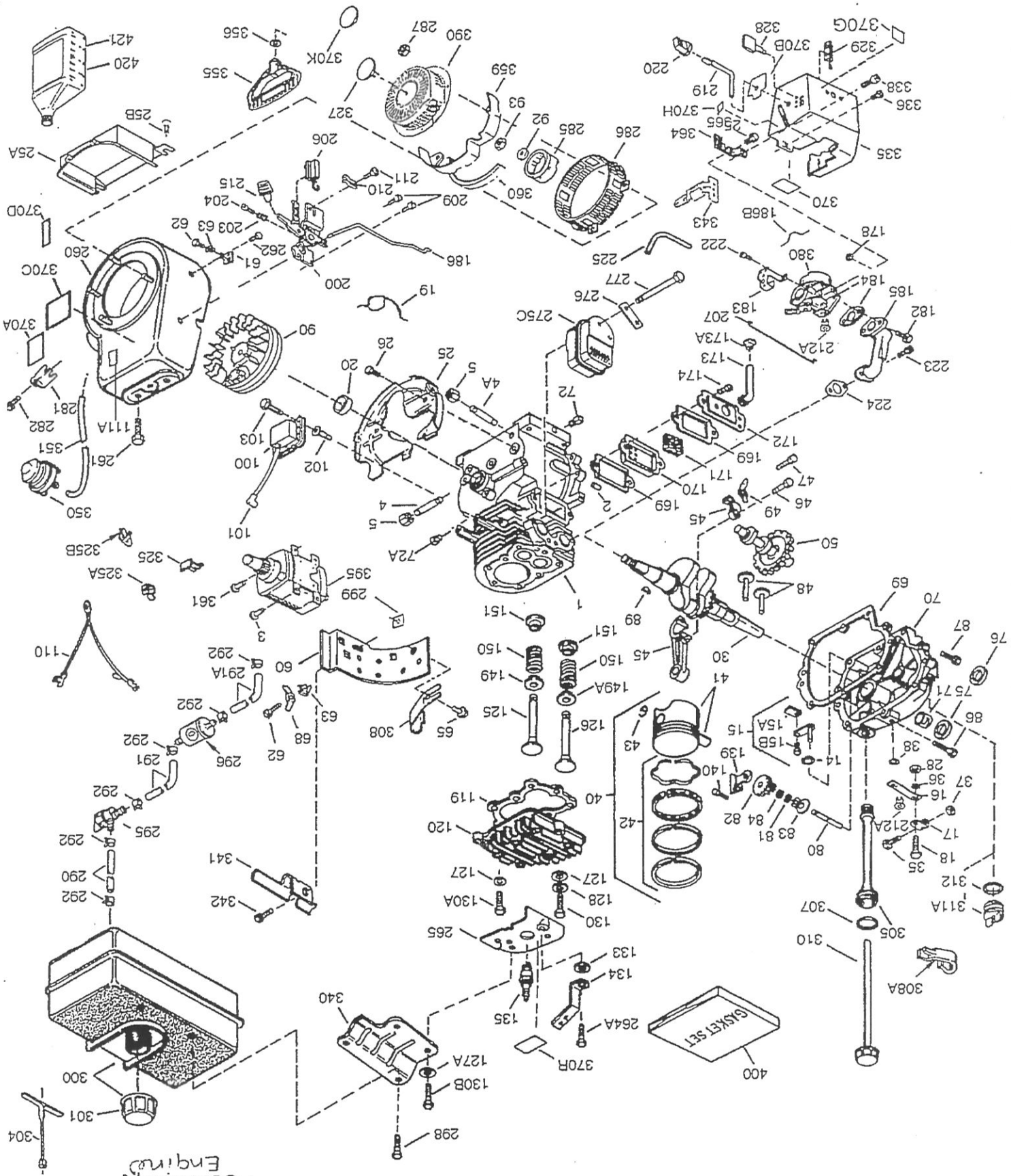


OPTIONAL MUFFLER
 (QUIET)



OPTIONAL 110-120 VOLT
 STARTER MOTOR KIT





Recumseh
Engine

Qty	Description	Part Number	Ref #
1	Cylinder (incl. 2, 20 & 72)	35968A	1
2	Dowel Pin	27652	2
1	Washer	28277	14
1	Governor Rod (incl. 15A & 15B)	30699C	15
1	Screw, 6-40 x 5/16"	650494	15B
1	Governor Yoke	30700	15A
1	Governor Lever Assy (incl. 212A)	37458	16
1	Governor Lever Clamp	29916	17
1	Screw, Torx T-15, 8-32 x 3/8"	651028	18
1	Oil Seal	35319	20
1	Blower Housing Baffle	36460	25
1	Air Baffle	36244	25A
1	Screw, 3/8-16 x 47/64"	651059	25B
2	Screw, 1/4-20 x 5/8"	650561	26
1	Lock Nut, 8-32	30322	28
1	Crankshaft	37302	30
1	Screw, 10-32 x 3/4"	29826	35
1	Lock Washer	29918	36
1	Lock Nut, 10-32	29216	37
1	Retaining Ring	29642	38
1	Piston, Pin & Ring Set (Std.)	35776A	40
1	Piston, Pin & Ring Set (.010" OS)	35777A	40
1	Piston, Pin & Ring Set (.020" OS)	35778A	40
1	Piston & Pin Assy (Std.) (incl. 43)	35773A	41
1	Piston & Pin Assy (.010" OS) (incl. 43)	35774A	41
1	Piston & Pin Assy (.020" OS) (incl. 43)	35775A	41
1	Ring Set (Std.)	35779	42
1	Ring Set (.010" OS)	35780	42
1	Ring Set (.020" OS)	35781	42
2	Piston Pin Retaining Ring	35772	43
1	Connecting Rod Assy (incl. 47 & 49)	36898	45
2	Connecting Rod Bolt	651033	47
2	Valve Lifter	34034	48
1	Oil Dipper	36896	49
1	Camshaft (MCR)	35375	50
1	Blower Housing Extension	33273A	60
1	Screw, 10-24 x 1/2"	650128	65
1	* Cylinder Cover Gasket	37342	69
1	Cylinder Cover (incl. 71, 75 & 80)	35376	70
1	Crankshaft Bushing	35377	71
2	Oil Drain Plug	27642	72
1	Oil Seal	35319	75
1	Governor Shaft	31845	80
1	Washer	30590A	81
1	Governor Gear Assy (incl. 81)	35378	82
1	Governor Spool	30588A	83
1	Retaining Ring	29193	84
7	Screw, 1/4-20 x 1-3/16"	650833	86
1	Screw, 1/4-20 x 1-11/16"	650832	87
1	Flywheel Key	32589	89
1	Flywheel	611093	90
1	Lock Washer	650880	92
1	Flywheel Nut	650881	93
1	Solid State Ignition	35135A	100
1	Spark Plug Cover	610118	101

Ref #	Part Number	Qty	Description
94	651016	1	Lock Nut, 10-32
95	30886A	1	Extension Spring
96	30845A	1	R.P.M. Adjusting Bolt
174	650128	1	Screw, 10-24 x 1/2"
238	28820	2	Screw, 10-32 x 1/2"
239	27272A	1	* Air Cleaner Gasket
240	33266	1	Air Cleaner Body
245	33268	1	Air Cleaner Filter
250	33269A	1	Air Cleaner Cover
251	37444	1	Wing Nut, 1/4-20
277	650729	2	Screw, 5-16/18 x 3-3/16"
290	30962	1	Fuel Line
292	26460	2	Fuel Line Clamp
311	35941	1	Oil Fill Plug
314	650873	2	Screw, 1/4-20 x 3/4"
323	610922	2	Terminal
416	34479A	1	Spark Arrestor Kit (Optional)
900	0	1	Replacement Engine None.
900	0	1	Replacement Short Block 756341A, order from 71-999.

Ref #	Part Number	Qty	Description
1	35968A	1	Cylinder (Incl. 2, 20 & 72)
2	27652	2	Dowel Pin
72	27642	2	Oil Drain Plug
90	611093	1	Flywheel
100	35135A	1	Solid State Ignition
101	610118	1	Spark Plug Cover
102	651024	2	Solid State Mounting Stud
103	651007	2	Screw, T-15, 10-24 x 15/16"
111	611220	1	Low Oil Sensor
112	35967A	1	* Oil Sensor Gasket
113	650590	4	Screw, Torx T-25, 10-24 x 5/8"
169	27896A	2	* Breather Gasket
170	28423	1	Breather Body
171	28424	1	Breather Element
172	28425	1	Valve Cover
173	35350	1	Breather Tube
174	650128	1	Screw, 10-24 x 1/2"
178	29752	2	Nut & Lock Washer, 1/4-28
207	37448	1	Throttle Link
238	28820	2	Screw, 10-32 x 1/2"
239	27272A	1	* Air Cleaner Gasket
240	33266	1	Air Cleaner Body
242	33267	1	Air Cleaner Bracket
245	33268	1	Air Cleaner Filter
250	33269A	1	Air Cleaner Cover
251	37444	1	Wing Nut, 1/4-20
260	36243A	1	Blower Housing
275	34185B	1	Muffler
276	31588	1	Locking Plate
277	650729	2	Screw, 5-16/18 x 3-3/16"
311	35941	1	Oil Fill Plug
314	650873	2	Screw, 1/4-20 x 3/4"
315	611113	1	Alternator Coil (3 Amp DC)(Incl. 321 - 323)
321	611161	1	Diode
322	610921	1	Connector Body
323	610922	2	Terminal
324	33177	1	Terminal
361	650990	4	Screw, T-30, 1/4-20 x 1/2"
370L	36990	1	Low Oil Decal
380	640260A	1	Carburetor (Incl. 184)
900	0	1	Replacement Engine None.
900	0	1	Replacement Short Block 756341A, order from 71-999.

Qty	Description	Part Number	Ref #
2	Solid State Mounting Stud	651024	102
2	Screw, T-15, 10-24 x 15/16"	651007	103
1	Ground Wire	35589	110
1	Low Oil Indicator Light	611223	111A
1	* Cylinder Head Gasket	36451	119
1	Cylinder Head	36449	120
1	Exhaust Valve (Std.) (Incl. 151)	27878A	125
1	Exhaust Valve (1/32" OS) (Incl. 151)	27880A	125
1	Intake Valve (Std.) (Incl. 151)	34035	126
9	Washer	650691	127
9	Belleville Washer	650690	128
9	Screw, 5/16-18 x 2"	650694A	130
1	Screw, 1/4-20 x 5/8"	651031	130A
1	Resistor Spark Plug (RJ17LM)	33636	135
1	Governor Gear Bracket	33369	139
2	Screw, 10-24 x 1/2"	650836	140
1	Valve Spring Cap	27882	149
1	Valve Spring Cap	35862	149A
2	Valve Spring	27881	150
2	Valve Spring Keeper	32581	151
2	* Breather Gasket	27896A	169
1	Breather Body	28423	170
1	Breather Element	28424	171
1	Valve Cover	28425	172
1	Breather Tube	35350	173
1	Screw, 10-24 x 1/2"	650128	174
2	Nut & Lock Washer, 1/4-28	29752	178
2	Screw, 1/4-28 x 1"	30088A	182
1	* Carburetor To Intake Pipe Gasket	33263	184
1	Intake Pipe	33877	185
1	Throttle Link	37448	207
1	Bushing	36288	212A
2	Screw, Torx T-30, 5/16-18 x 1-1/8"	650378	223
1	* Intake Pipe Gasket	27915A	224
2	Screw, 10-32 x 1/2"	28820	238
1	Blower Housing	36243A	260
2	Screw, 5/16-18 x 3/4"	650788	261
2	Screw, Torx T-40, 5/16-24 x 21/32"	29747B	262
1	Screw, 1/4-20 x 5/8"	650802	264A
1	Cylinder Head Cover	33272D	265
1	Locking Plate	31588	276
2	Screw, 5-16/18 x 3-3/16"	650729	277
1	Starter Cup	35985B	285
4	Nut & Lock Washer, 1/4-28	29752	287
1	Fuel Line	30962	290
2	Fuel Line Clamp	26460	292
1	Fuel Filter (Incl. 292)	34279B	296
1	Oil Fill Plug	35941	311
1	Wire Clip	27275	325A
1	Wire Clip	29443	325
1	Carburetor Cover	37655	335
1	Screw, 10-32 x 1/2"	650765	336
2	Screw, 10-32 x 3/8"	28942	338
1	Screw, Torx T-30, 1/4-20 x 1/2"	30063	342
4	Screw, T-30, 1/4-20 x 1/2"	650990	361

Ref #	Part Number	Qty	Description
364	33377	1	Carburetor Cover Bracket
365	650767	2	Screw, 8-32 X 27/64"
370	36261	1	Identification Decal
370G	35274	1	Oil Instruction Decal
370K	36695	1	Starter Decal
380	640260A	1	Carburetor (Incl. 184)
390	590746	1	Rewind Starter (Note: This engine could have been built with 590704 starter.)
395	36680	1	Electric Starter Motor (12 Volt)
400	36452B	1	* Gasket Set (Incl. items marked PK in notes)
			Incl. part #'s 27222A (1), 27896A (2), 27915A (1), 29673 (1), 33263 (1), 33629 (1), 34698A (1), 35317 (1), 35967A (1), 36451 (1), 37342 (1)
900		0	Replacement Engine None.
900		0	Replacement Short Block 756341A, order from 71-999.